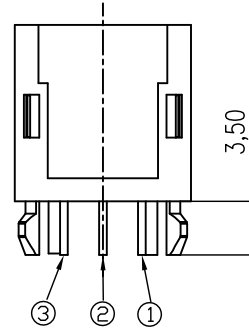
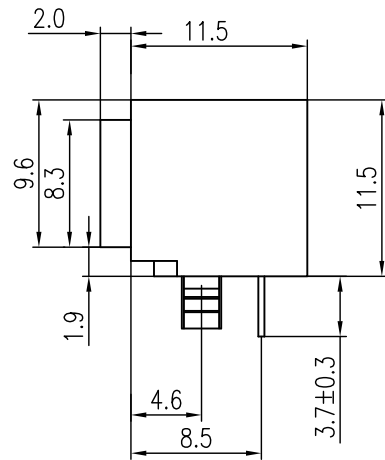
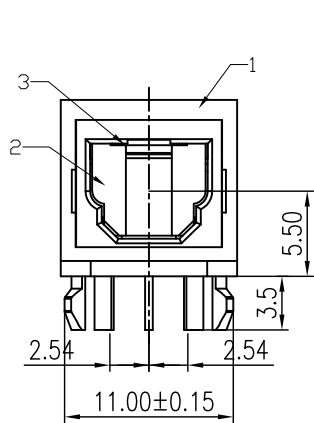


正式图 参考图 CUSTOMER DRAWING
The requirements of environmental protection
ROHS2 Halogen free

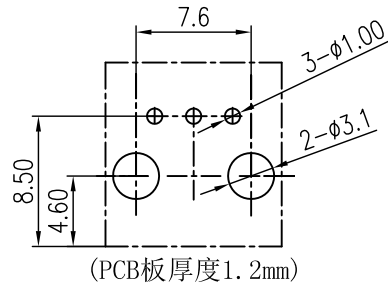
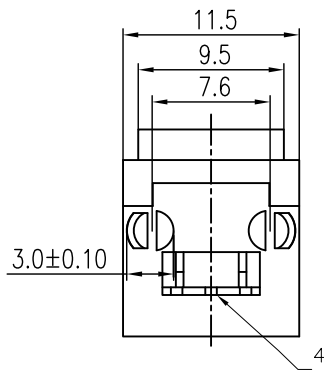
Mark	ECN NO.	DESCRIPTION	DESIGN	Date:
—	—	NEW VERSION	David Zhou	2013.12.24



NOTES:

- 1.Signal transmission speed:Max25Mbps
2. Operating voltage:2.7 to5.5v
3. TTLand high C-MOS LOGIC compatible
4. Low power consumption
5. Operating temperature:-20° to 70°
6. Storage temperature:-30° to 80°
- 7.Soldering temperature:260°,time for 5s

Pin Function	
Tx	Rx
① Vin	① Vcc
② Vcc	② GND
③ GND	③ Vout



Recommended P.C.Board hole

P/N:

TR1026A-XXXX-00A0XXB

MODEL NO

PLASTIC MATERIAL

- B0:PBT 30%G/F UL94V-0
- D0:PA66 30%G/F UL94V-0

AUTOMATIC DOOR COLOR

- 01:BLACK
- 08:GRAY
- 10:ORANGE1575C



PACKING:TRAY

SIGNAL SPEC:

- T0:TRANSMIT SPEED 16Mbps
- T1:TRANSMIT SPEED 25Mbps
- R0:RECEIVE SPEED 16Mbps
- R1:RECEIVE SPEED 25Mbps

NO.	DESCRIPTION	QTY	MATERIAL	PLATING OR COLOR
5	OPTICAL FIBER	1	—	Ag
4	SPRING COIL	1	STAINLESS STEEL	—
3	BASE	1	PA66 30%G/F UL94V-0	BLACK
2	GATE	1	PA66 30%G/F UL94V-0	CHOOSE FROM P/N:
1	HOUSING	1	PA66 30%G/F UL94V-0	BLACK

TABLE E : Parts of Product

Tolerance X.X ±0.30 X.XX ±0.20 X.XXX ±0.10 Angle ±3.0°	MODEL NAME:OPTICAL JACK		DRAWING: David Zhou	
	MODEL No:TR1026A-XXXX-00A0XXB		CHECKED: David Zhou	
 SCALE:1:1	REVISION A0	SHEET 1/1	APPROVED:Jacky Lee	
	UNIT:mm		DATE: 2013.12.24	
 菱揚精密有限公司 Ling Yang Precision Co.,Ltd		FILE:CD/LINGYANG		
		DWG NO. TR1026A-A001		