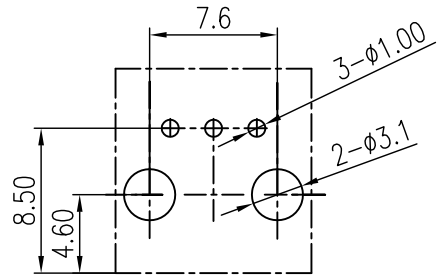
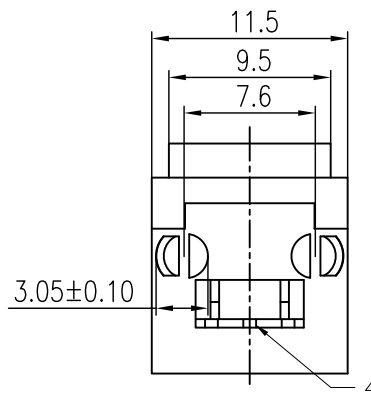


- NOTES:
- 1.Signal transmission speed:Max25Mbps
 2. Operating voltage:2.7 to5.5v
 3. TTLand high C-MOS LOGIC compatible
 4. Low power consumption
 5. Operating temperature:-20° to 70°
 6. Storage temperature:-30° to 80°
 - 7.Soldering temperature:260°,time for 5s

Pin Function	
Tx	Rx
① Vin	① Vcc
② Vcc	② GND
③ GND	③ Vout



Recommended P.C.Board hole

P/N: TR1026B-XXXX-00A0XXB

MODEL NO: TR1026B-XXXX-00A0XXB

PACKING:TRAY

SIGNAL SPEC:

T0:TRANSMIT SPEED 16Mbps
T1:TRANSMIT SPEED 25Mbps
R0:RECEIVE SPEED 16Mbps
R1:RECEIVE SPEED 25Mbps

PLASTIC MATERIAL:

B0:PBT 30%G/F UL94V-0
D0:PA66 30%G/F UL94V-0

AUTOMATIC DOOR COLOR:

01:BLACK
08:GRAY
10:ORANGE1575C

NO.	DESCRIPTION	QTY	MATERIAL	PLATING OR COLOR
5	OPTICAL FIBER	1	—	Ag
4	SPRING COIL	1	STAINLESS STEEL	—
3	BASE	1	PA66 30%G/F UL94V-0	BLACK
2	GATE	1	PA66 30%G/F UL94V-0	CHOOSE FROM P/N:
1	HOUSING	1	PA66 30%G/F UL94V-0	BLACK

TABLE E : Parts of Product

Tolerance X.X ±0.30 X.XX ±0.20 X.XXX ±0.10 Angle ±3.0°	MODEL NAME:OPTICAL JACK		DRAWING: David Zhou	
	MODEL No:TR1026B-XXXX-00A0XXB		CHECKED: David Zhou	
	SCALE:1:1	REVISION A0	SHEET 1/1	APPROVED:Jacky Lee
				DATE: 2013.12.25
UNIT:mm	菱揚精密有限公司 Ling Yang Precision Co.,Ltd			FILE:CD/LINGYANG
				DWG NO. TR1026B-A001