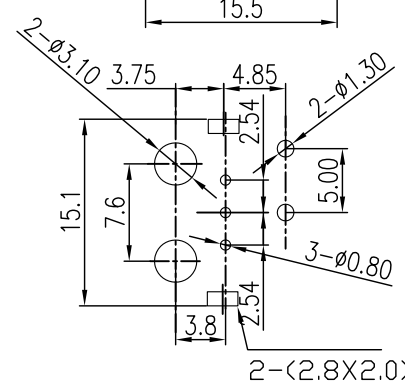
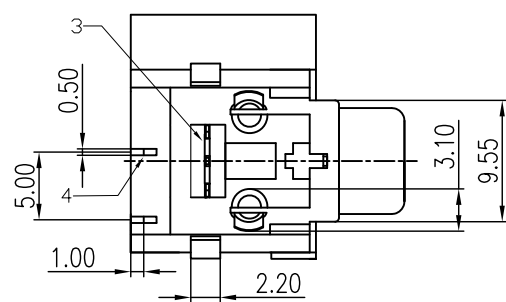
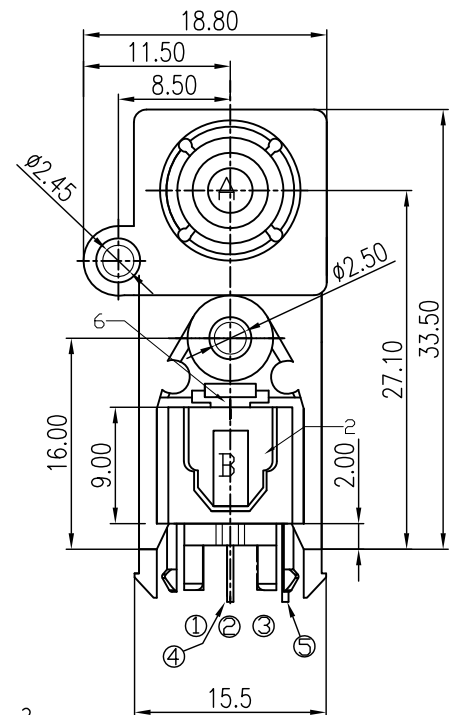
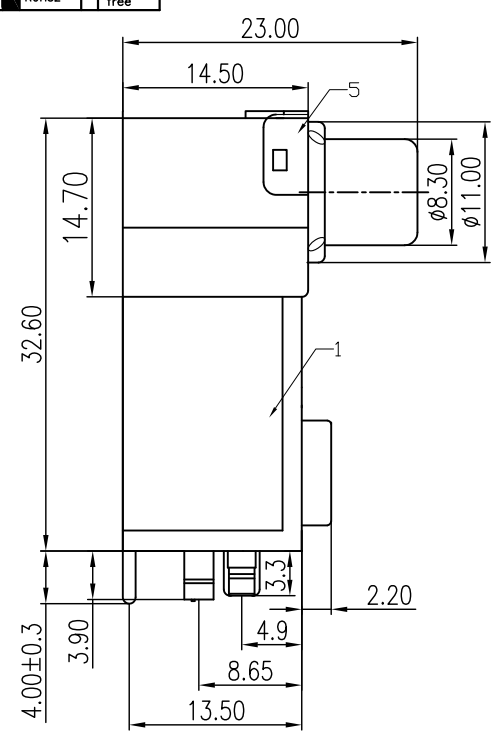


正式图 参考图 CUSTOMER DRAWING
The requirements of environmental protection
ROHS2 Halogen free

Mark	ECN NO.	DESCRIPTION	DESIGN	Date:
—	—	NEW VERSION	David Zhou	2013.12.24



Recommended P.C.Board hole

- NOTES:
- 1.Signal transmission speed:Max25Mbps
 2. Operating voltage:2.7 to5.5v
 3. TTLand high C-MOS LOGIC compatible
 4. Low power consumption
 5. Operating temprature:-20° to 70°
 6. Storage temprature:-30° to 80°
 - 7.Soldering temprature:260°,time for 5s

Pin Function	
Tx	Rx
① Vin	① Vcc
② Vcc	② GND
③ GND	③ Vout
④ Vin(AVterminal)	
⑤ GND(AVterminal)	

06	RED	BLK	15	R711U	WHT
07	GRN	BLU	16	GRN	RED
09	WHT	RED	17	GRN	WHT
10	RED	WHT	18	164C	BLK
11	YEL	WHT	19	YEL	R711U
12	WHT	YEL	20	YEL	RED
13	WHT	R711U	21	RED	YEL
14	Y128C	BLK	22	BLK	RED
CHOOSE	A	B	CHOOSE	A	B

TABLE A :Washer and door

P/N: GZ1008A-XXXX-00A0XXB

- MODEL NO: _____ PACKING:TRAY
 PLASTIC MATERIAL: _____ SIGNAL SPEC:
 B0:PBT 30%G/F UL94V-0 T0:TRANSMIT SPEED 16Mbps
 D0:PA66 30%G/F UL94V-0 T1:TRANSMIT SPEED 25Mbps
 R0:RECEIVE SPEED 16Mbps
 R1:RECEIVE SPEED 25Mbps
 OLDR: _____
 Choose from table A

8	Washer	1	CHOOSE FROM P/N:	Choose from table A
7	Shell cover	1	BRASS	Nickel plated
6	SPRING COIL	1	STAINLESS STEEL	-
5	SHELL	1	SPCC	Nickel Plated On The All Area
4	AV Terminal	2	BRASS	Plating Tin
3	OPTICAL FIBER	1	_____	Ag
2	AUTOMATIC DOOR	1	CHOOSE FROM P/N:	Choose from table A
1	HOUSING	1	CHOOSE FROM P/N:	BLACK
NO.	DESCRIPTION	QTY	MATERIAL	PLATING OR COLOR

Tolerance	MODEL NAME:OPTICAL JACK	DRAWING: David Zhou
X.X ±0.30	MODEL No:GZ1008A-XXXX-00A0XXB	CHECKED: David Zhou
X.XX ±0.20	SCALE:1:1	APPROVED:Jacky Lee
X.XXX ±0.10	REVISION A0	DATE: 2013.12.24
Angle ±3.0°	SHEET 1/1	FILE:CD/LINGYANG
UNIT:mm	菱揚精密有限公司 Ling Yang Precision Co.,Ltd	DWG NO. GZ1008A-A001