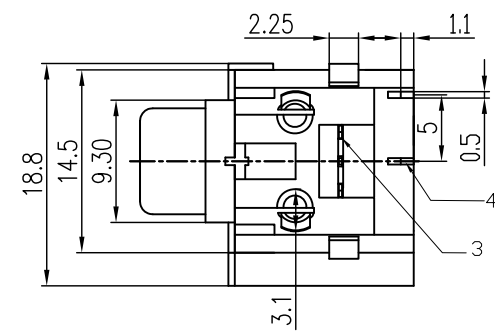


Recommended P.C.Board hole



- NOTES:
- Signal transmission speed:Max25Mbps
  - Operating voltage:2.7 to5.5v
  - TTLand high C-MOS LOGIC compatible
  - Low power consumption
  - Operating temperrature:-20° to 70°
  - Storage temperrature:-30° to 80°
  - Soldering temperature:260°,time for 5s

Pin Function	
Tx	Rx
① Vin	① Vcc
② Vcc	② GND
③ GND	③ Vout
④ Vin(AV terminal)	
⑤ GND(AV terminal)	

06	RED	BLK	15	R711U	WHT
07	GRN	BLU	16	GRN	RED
09	WHT	RED	17	GRN	WHT
10	RED	WHT	18	164C	BLK
11	YEL	WHT	19	YEL	R711U
12	WHT	YEL	20	YEL	RED
13	WHT	R711U	21	RED	YEL
14	Y128C	BLK	22	BLK	RED
CHOOSE	A	B	CHOOSE	A	B

Table A

P/N: GZ1010A-XXXX-00A0XXB

MODEL NO: \_\_\_\_\_ PACKING:TRAY  
 PLASTIC MATERIAL: \_\_\_\_\_ SIGNAL SPEC:  
 T0:TRANSMIT SPEED 16Mbps  
 T1:TRANSMIT SPEED 25Mbps  
 R0:RECEIVE SPEED 16Mbps  
 R1:RECEIVE SPEED 25Mbps  
 ACOLOR CODE: \_\_\_\_\_  
 CHOOSE FROM Table A

9	SHELL COVER	1	BRASS	PLATING Nickel
8	SPRING COIL	1	STAINLESS STEEL	—
7	SHELL	1	SPCC	PLATING Nickel
6	AV Terminal	2	BRASS	PLATING Tin
5	OPTICAL FIBER	1	—	Ag
4	OPTICAL HOUSING	1	CHOOSE FROM P/N:	BLACK
3	WASHER	1	CHOOSE FROM P/N:	CHOOSE FROM Table A
2	AUTOMATIC DOOR	1	CHOOSE FROM P/N:	CHOOSE FROM Table A
1	HOUSING	1	CHOOSE FROM P/N:	BLACK
NO.	DESCRIPTION	QTY	MATERIAL	PLATING OR COLOR

Tolerance X.X ±0.30 X.XX ±0.20 X.XXX ±0.10 Angle ±3.0°	MODEL NAME:OPTICAL JACK		DRAWING: David Zhou	
	MODEL No:GZ1010A-XXXX-00A0XXB		CHECKED: David Zhou	
UNIT:mm	SCALE:1:1	REVISION	SHEET	APPROVED:Jacky Lee
		A0	1/1	DATE: 2013.12.25
菱揚精密有限公司 Ling Yang Precision Co.,Ltd			FILE:CD/LINGYANG	
			DWG NO. GZ1010A-A001	