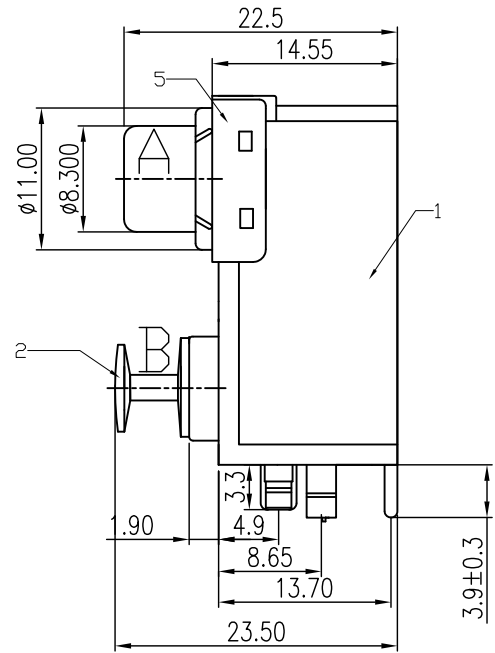
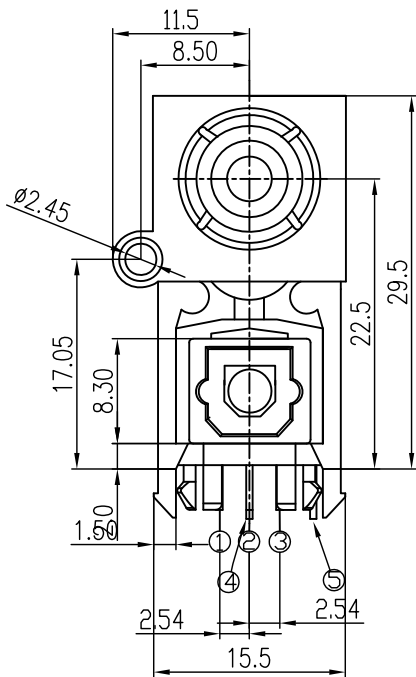


正式图 参考图
 CUSTOMER DRAWING
 The requirements of environmental protection
 ROHS2 Halogen free

Mark	ECN NO.	DESCRIPTION	DESIGN	Date:
—	—	NEW VERSION	David Zhou	2013.12.25

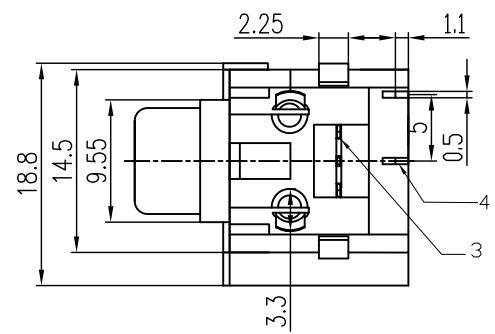
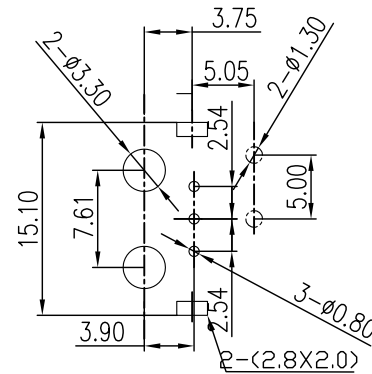


- NOTES:
- Signal transmission speed: Max 25Mbps
 - Operating voltage: 2.7 to 5.5v
 - TTL and high C-MOS LOGIC compatible
 - Low power consumption
 - Operating temperature: -20° to 70°
 - Storage temperature: -30° to 80°
 - Soldering temperature: 260°, time for 5s

Pin Function	
Tx	Rx
① Vin	① Vcc
② Vcc	② GND
③ GND	③ Vout
④ Vin(AV terminal)	
⑤ GND(AV terminal)	

06	RED	BLK	15	R711U	WHT
07	GRN	BLU	16	GRN	RED
09	WHT	RED	17	GRN	WHT
10	RED	WHT	18	164C	BLK
11	YEL	WHT	19	YEL	R711U
12	WHT	YEL	20	YEL	RED
13	WHT	R711U	21	RED	YEL
14	Y128C	BLK	22	BLK	RED
CHOOSE	A	B	CHOOSE	A	B

Table A



P/N: GZ1010W-XXXX-00A0XXB

MODEL NO: _____
 PLASTIC MATERIAL: _____
 B0:PBT 30%G/F UL94V-0
 D0:PA66 30%G/F UL94V-0
 COLOR CODE: _____

PACKING: TRAY
 SIGNAL SPEC:
 T0: TRANSMIT SPEED 16Mbps
 T1: TRANSMIT SPEED 25Mbps
 R0: RECEIVE SPEED 16Mbps
 R1: RECEIVE SPEED 25Mbps

NO.	DESCRIPTION	QTY	MATERIAL	PLATING OR COLOR
9	SHELL COVER	1	BRASS	PLATING Nickel
8	SPRING COIL	1	STAINLESS STEEL	-
7	SHELL	1	SPCC	PLATING Nickel
6	AV Terminal	2	BRASS	PLATING Tin
5	OPTICAL FIBER	1	—	Ag
4	OPTICAL HOUSING	1	CHOOSE FROM P/N:	BLACK
3	WASHER	1	CHOOSE FROM P/N:	CHOOSE FROM Table A
2	AUTOMATIC DOOR	1	CHOOSE FROM P/N:	CHOOSE FROM Table A
1	HOUSING	1	CHOOSE FROM P/N:	BLACK

Tolerance X.X ±0.30 X.XX ±0.20 X.XXX ±0.10 Angle ±3.0°	MODEL NAME: OPTICAL JACK	DRAWING: David Zhou	
	MODEL No: GZ1010W-XXXX-00A0XXB	CHECKED: David Zhou	
UNIT: mm	SCALE: 1:1	REVISION A0	SHEET 1/1
	APPROVED: Jacky Lee		DATE: 2013.12.25
Ling Yang Precision Co., Ltd		FILE: CD/LINGYANG	
		DWG NO. GZ1010W-A001	