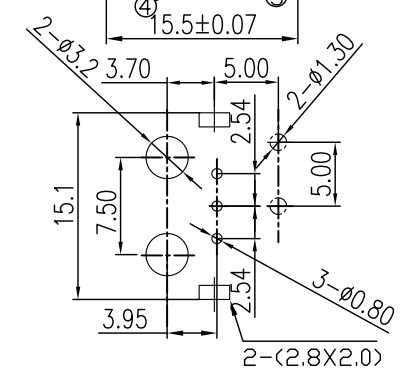
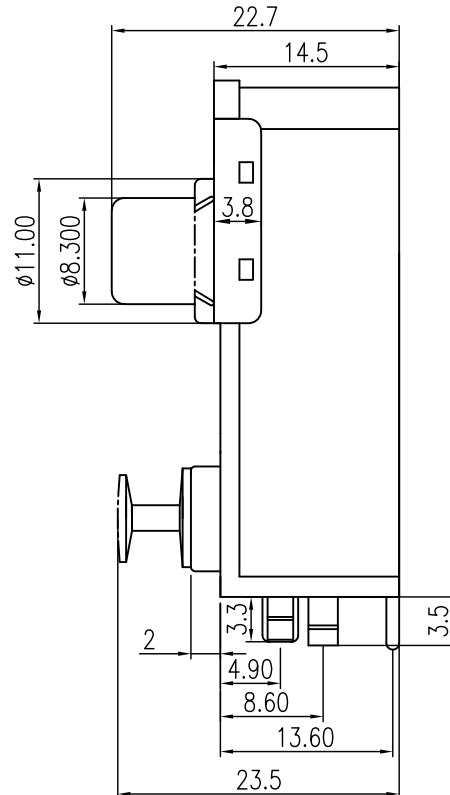
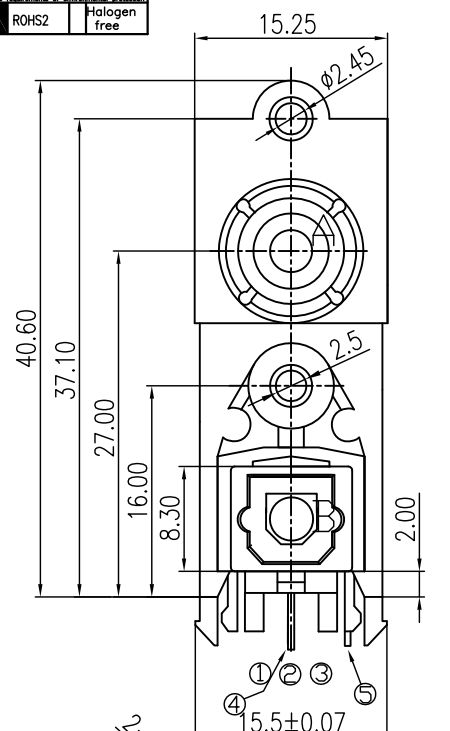


正式图 参考图 CUSTOMER DRAWING  
The requirements of environmental protection  
ROHS2 Halogen free

Mark	ECN NO.	DESCRIPTION	DESIGN	Date:
—	—	NEW VERSION	David Zhou	2013.12.25



Recommended P.C.Board hole

- NOTES:
- Signal transmission speed:Max25Mbps
  - Operating voltage:2.7 to5.5v
  - TTLand high C-MOS LOGIC compatible
  - Low power consumption
  - Operating temprature:-20° to 70°
  - Storage temperature:-30° to 80°
  - Soldering temperature:260°,time for 5s

Pin Function	
Tx	Rx
① Vin	① Vcc
② Vcc	② GND
③ GND	③ Vout
④ Vin(AVterminal)	
⑤ GND(AVterminal)	

06	RED	BLK	15	R711U	WHT
07	GRN	BLU	16	GRN	RED
09	WHT	RED	17	GRN	WHT
10	RED	WHT	18	164C	BLK
11	YEL	WHT	19	YEL	R711U
12	WHT	YEL	20	YEL	RED
13	WHT	R711U	21	RED	YEL
14	Y128C	BLK	22	BLK	RED
CHOOSE	A	B	CHOOSE	A	B

Table A

P/N:

GZ1011W-XXXX-00A0XXB

MODEL NO: \_\_\_\_\_ PACKING:TRAY  
 PLASTIC MATERIAL: \_\_\_\_\_ SIGNAL SPEC:  
 □T0:TRANSMIT SPEED 16Mbps  
 □T1:TRANSMIT SPEED 25Mbps  
 □R0:RECEIVE SPEED 16Mbps  
 □R1:RECEIVE SPEED 25Mbps  
 COLOR CODE: \_\_\_\_\_  
 CHOOSE FROM Table A

9	SHELL COVER	1	BRASS or SPCC	PLATING Nickel
8	SPRING COIL	1	STAINLESS STEEL	—
7	SHELL	1	SPCC	PLATING Nickel
6	AV Terminal	2	BRASS	PLATING Tin
5	OPTICAL FIBER	1	—	Ag
4	OPTICAL HOUSING	1	CHOOSE FROM P/N:	BLACK
3	WASHER(A)	1	CHOOSE FROM P/N:	CHOOSE FROM Table A
2	AUTOMATIC DOOR(B)	1	CHOOSE FROM P/N:	CHOOSE FROM Table A
1	HOUSING	1	CHOOSE FROM P/N:	BLACK
NO.	DESCRIPTION	QTY	MATERIAL	PLATING OR COLOR

Tolerance	MODEL NAME:OPTICAL JACK	DRAWING: David Zhou
X.X ±0.30	MODEL No:GZ1011W-XXXX-00A0XXB	CHECKED: David Zhou
X.XX ±0.20	SCALE:1:1	APPROVED:Jacky Lee
X.XXX ±0.10	REVISION A0	DATE: 2013.12.25
Angle ±3.0°	SHEET 1/1	FILE:CD/LINGYANG
UNIT:mm	菱揚精密有限公司 Ling Yang Precision Co.,Ltd	DWG NO. GZ1011W-A001