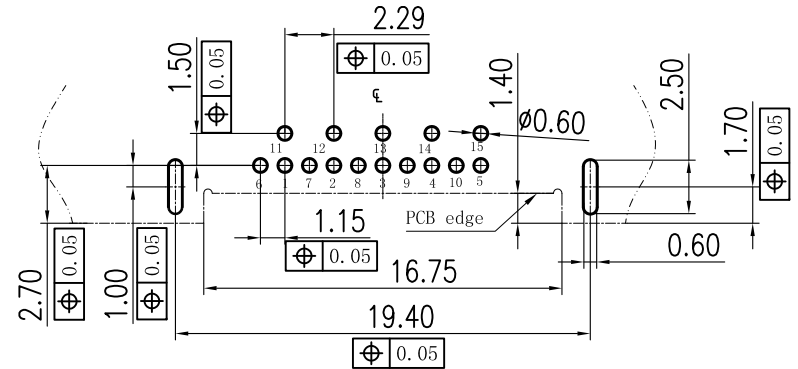
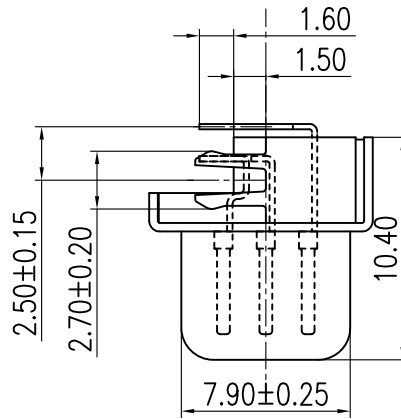
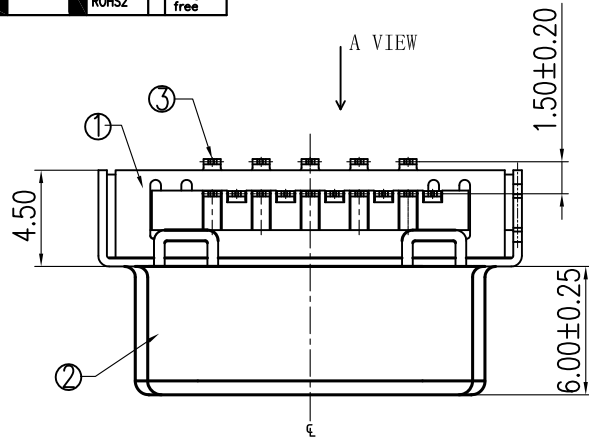


正式图 参考图
CUSTOMER DRAWING
 Requirements of environmental protection:
 ROHS2 Halogen free

Mark	ECN NO.	DESCRIPTION	DESIGN	Date:
—	—	NEW VERSION	Zeng Yu	2013-11-05



RECOMMENDED PCB LAYOUT. TOLERANCE: ±0.05
 TOP VIEW

3	CO	LCP UL94V-0	Choose P/N	RoHS2&H.F Fit
2	L3	PA10T 30%G/F UL94V-0	Choose P/N	RoHS2&H.F Fit
1	LO	PA9T 30%G/F UL94V-0	Choose P/N	RoHS2 Fit
NO.	CODE	MATERIAL	COLOR	REMARK

TABLE A : Plastical Material

P/N:

VDSXXXX-XXXX-XXXXXXX

Model P/N

Plastical Material
 (Choose From Table A)

Color
 01:Black
 42:Blue661C

PIN Number

Product salt mist
 A:Normal;
 B:24Hours;
 C:48Hours;

Packing

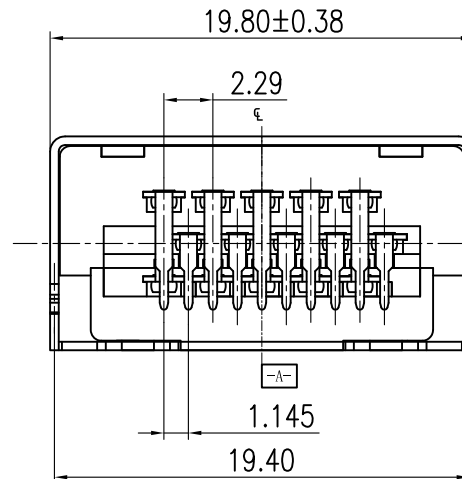
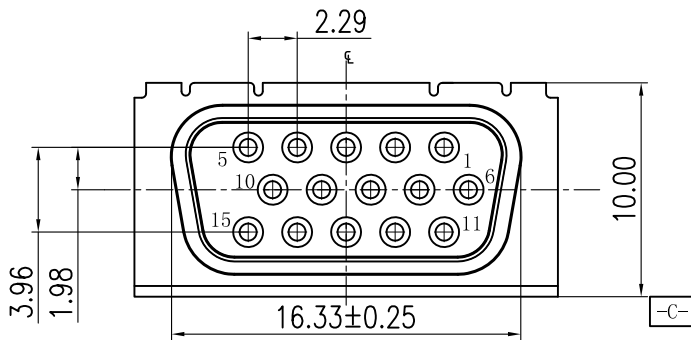
B:Tray; R:Tape reel;
 T:Tube; P:PE Bag.

Screw:

W:Without screw
 S1:Attachment screw(4.8mm)
 S2:Lock screw(4.8mm)
 F1:Attachment screw(5.8mm)
 F2:Lock screw(5.8mm)

Plating Code

0:Bright Tin;
 W:Watts Tin;
 A:CONTACT AREA:GOLD FLASH,SOLDER AREA:MATTE TIN80U"
 B:CONTACT AREA:3U"GOLD,SOLDER AREA:MATTE TIN80U"
 C:CONTACT AREA:5U"GOLD,SOLDER AREA:MATTE TIN80U"
 D:CONTACT AREA:10U"GOLD,SOLDER AREA:MATTE TIN80U"
 E:CONTACT AREA:15U"GOLD,SOLDER AREA:MATTE TIN80U"
 F:CONTACT AREA:20U"GOLD,SOLDER AREA:MATTE TIN80U"
 G:CONTACT AREA:30U"GOLD,SOLDER AREA:MATTE TIN80U"



NOTES:

- Rating:250V AC(rms) 3.0A;
- Contact Resistance:≤30Milliohm,After Test:≤50Milliohm;
- Insulation Resistance:≥5000Megohm(DC500V);
- Withstand Voltage:AC1000V for 1Minute;
- Insertion force:44.5N Max;
- Extraction force:3.34~31.15N;
- Life test:500Cycles.
- Operating Temperature:-55°C~+125°C 85%RH Max;
- Storage Temperature:-55°C~+125°C 85%RH Max.

③	Terminal	15	C2680R-H t=0.2mm	Choose from P/N Item Plating	Ni50u"under over all
②	Shell	1	SPCE-SD t=0.35mm	Cu:50u"+Nickel80u"Min	-
①	Housing	1	Choose from TABLE A	Color:Choose from P/N Color	-
NO.	DESCRIPTION	QTY	PARTS MATERIAL	PLATING OR COLOR	REMARK

X.X ±0.30
 X.XX ±0.20
 X.XXX ±0.10
 Angle ±3.0°

MODEL NAME:D-SUB CONNECTOR

MODEL No:VDS051W-XXXX-15XXXXB

REVISION SHEET

SCALE:1:1 01 1/1

UNIT:mm



菱揚精密有限公司
 Ling Yang Precision Co.,Ltd

DRAWING: Miao Xue Ting

CHECKED: Zeng Yu

APPROVED: Gavin

DATE: 2013-11-05

FILE: XZB/LINGYANG

DWG NO.VDS051W-A001