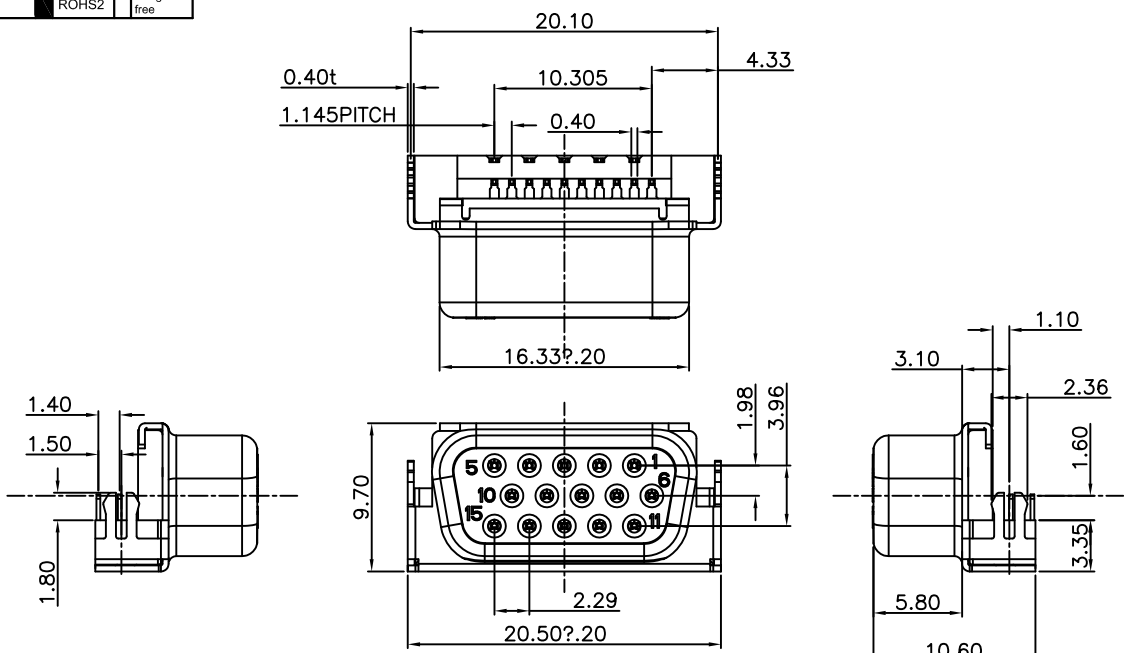
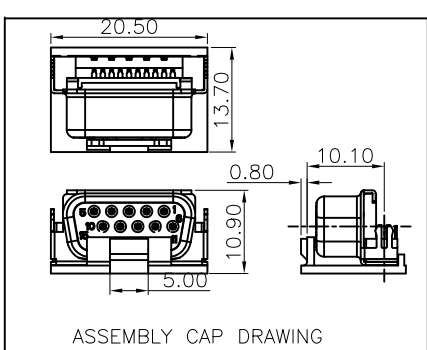
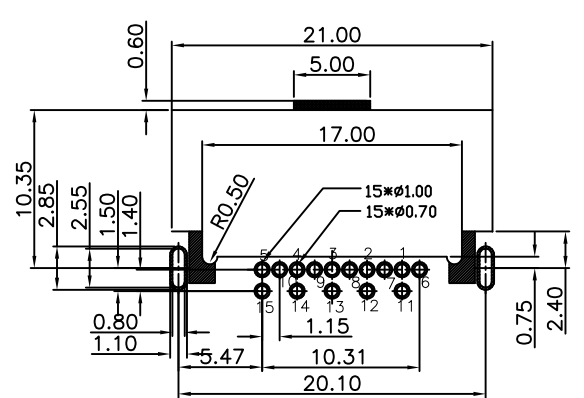


正式图 参考图
 CUSTOMER DRAWING
 RoHS2 Halogen free

Mark	ECN NO.	DESCRIPTION	DESIGN	Date:
—	—	NEW VERSION	Zeng Yu	2013-11-06



NOTES:
 1.Rating:3.0A;
 2.Contact Resistance:≤30Milliohm,After Test:≤50Milliohm;
 3.Insulation Resistance:≥5000Megohm(DC500V);
 4.Withstand Voltage:AC1000V for 1Minute;
 5.Insertion force:44.5N Max;
 6.Extraction force:3.34~31.15N;
 7.Life test:500Cycles.
 8.Operating Temperature:-55°C~+125°C 85%RH Max;
 9.Storage Temperature:-55°C~+125°C 85%RH Max.



3	C0	LCP UL94V-0	Choose P/N	RoHS2&H.F Fit
2	D6	PBT 30%G/F UL94V-0	Choose P/N	RoHS2&H.F Fit
1	D0	PBT 30%G/F UL94V-0	Choose P/N	RoHS2 Fit
NO.	CODE	MATERIAL	COLOR	REMARK

TABLE A : Plactical Material

P/N:
 VDS052W-XXXX-XXXXXXXX
 Model P/N _____ Packing
 Plactical Material (Choose From Table A) _____
 Color _____
 PIN Number _____
 Product salt mist _____
 A:Normal;
 B:24Hours;
 C:48Hours;

B:Tray; R:Tape reel;
 T:Tube; P:PE Bag.
 Screw:
 WL:Without screw
 Plating Code
 B:Bright Tin;
 W:Matte Tin;
 A:CONTACT AREA-GOLD FLASH,SOLDER AREA-MATTE TIN80U"

RECOMMENDED P.C.B LAYOUT
 THICKNESS :1.2mm/TOLERANCE :±0.05mm



NO.	DESCRIPTION	QTY	PARTS MATERIAL	PLATING OR COLOR	REMARK
④	CAP	1	Choose from TABLE A	Black	-
③	Terminal	15	C2680R-H t=0.25mm	Choose from P/N Item Plating	NI50u"Under over all
②	Shell	1	SPCE-SD t=0.40mm	Cu:50u"+Nickel80u"Min	-
①	Housing	1	Choose from TABLE A	Color:Choose from P/N Color	-

Tolerance X.X ±0.30 X.XX ±0.20 X.XXX ±0.10 Angle ±3.0°	MODEL NAME:D-SUB CONNECTOR MODEL No:VDS052W-XXXX-15XXWLX	DRAWING: Miao Xue Ting CHECKED: Zeng Yu APPROVED: Gavin DATE: 2013-11-06 FILE: XZB/LINGYANG DWG NO. VDS052W-A001
UNIT:mm	SCALE:1:1 REVISION 01 SHEET 1/1	
Ling Yang Precision Co.,Ltd		