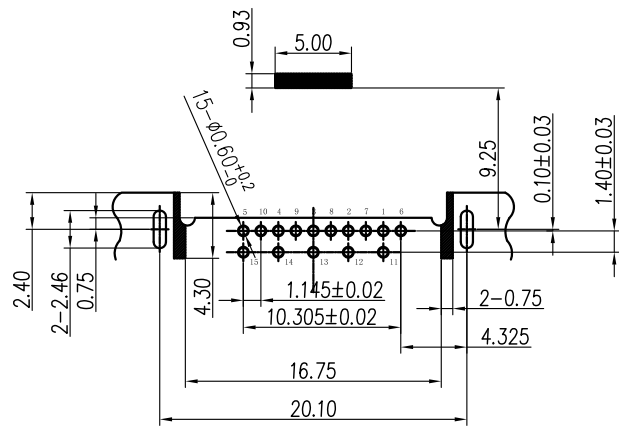
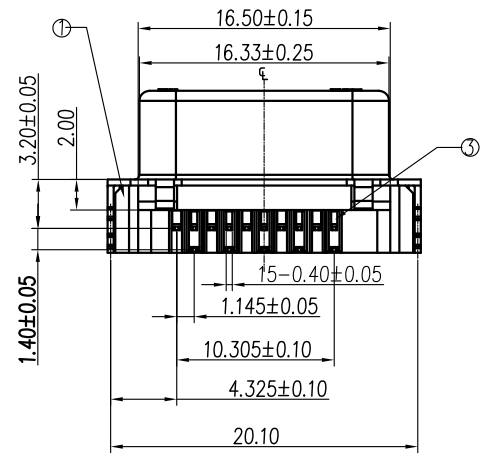
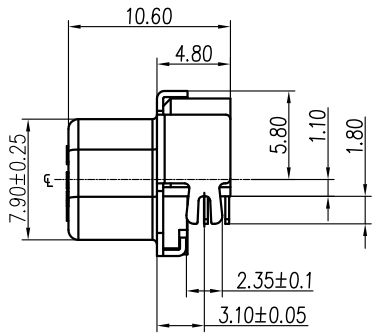
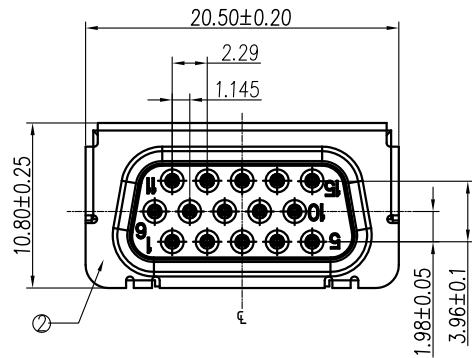


正式图 参考图 CUSTOMER DRAWING
 The requirements of environmental protection
 ROHS2 Halogen free

Mark	ECN NO.	DESCRIPTION	DESIGN	Date:
—	—	NEW VERSION	Zeng Yu	2013-11-06



NOTES:
 1.Rating: 250V AC(rms) 3.0A;
 2.Contact Resistance: ≤30Milliohm, After Test: ≤50Milliohm;
 3.Insulation Resistance: ≥5000Megohm(DC500V);
 4.Withstand Voltage: AC1000V for 1Minute;
 5.Insertion force: 44.5N Max;
 6.Extraction force: 3.34~31.15N;
 7.Life test: 500Cycles.
 8.Operating Temperature: -55°C~+125°C 85%RH Max;
 9.Storage Temperature: -55°C~+125°C 85%RH Max.

3	C0	LCP UL94V-0	Choose P/N	RoHS2&H.F Fit
2	L3	PA10T 30%G/F UL94V-0	Choose P/N	RoHS2&H.F Fit
1	LO	PA9T 30%G/F UL94V-0	Choose P/N	RoHS2 Fit
NO.	CODE	MATERIAL	COLOR	REMARK

TABLE A : Plastical Material

P/N:

Model P/N: VDSXXXX-XXXX-XXXXXXXXX

Plastical Material (Choose From Table A)

Color: 01: Black, 42: Blue661C

PIN Number

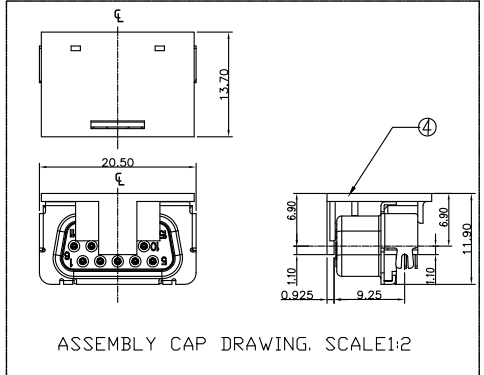
Product salt mist: A: Normal, B: 24Hours, C: 48Hours

Packing: B: Tray, C: Tape reel, D: Tube, P: PE Bag

Screw: WL: Without screw, S1: Attachment screw(4.8mm), S2: Lock screw(4.8mm), F1: Attachment screw(5.8mm), F2: Lock screw(5.8mm)

Plating Code: 0: Bright Tin, W: Matte Tin, A: CONTACT AREA: GOLD FLASH, SOLDER AREA: MATTE TIN80U, B: CONTACT AREA: 3U" GOLD, SOLDER AREA: MATTE TIN80U, C: CONTACT AREA: 5U" GOLD, SOLDER AREA: MATTE TIN80U, D: CONTACT AREA: 10U" GOLD, SOLDER AREA: MATTE TIN80U, E: CONTACT AREA: 15U" GOLD, SOLDER AREA: MATTE TIN80U, F: CONTACT AREA: 20U" GOLD, SOLDER AREA: MATTE TIN80U, G: CONTACT AREA: 30U" GOLD, SOLDER AREA: MATTE TIN80U

RECOMMENDED P.C.B LAYOUT (P.C.B THICKNESS:1.2mm)
 WITHOUT LOCKING FUNCTION(REVEVSE TYPE PCB)
 CAP STAND OFF PRODUCT STAND OFF AREA



④	CAP	1	Choose from TABLE A	Black	-
③	Terminal	15	C2680R-H t=0.25mm	Choose from P/N Item Plating	Ni50u"under over all
②	Shell	1	SPCE-SD t=0.40mm	Cu: 50u" + Nickel 80u" Min	-
①	Housing	1	Choose from TABLE A	Color: Choose from P/N Color	-
NO.	DESCRIPTION	QTY	PARTS MATERIAL	PLATING OR COLOR	REMARK

Tolerance	MODEL NAME: D-SUB CONNECTOR	DRAWING: Miao Xue Ting
X.X ±0.30	MODEL No: VDS055W-XXXX-15XXWLX	CHECKED: Zeng Yu
X.XX ±0.20	REVISION 01	APPROVED: Gavin
X.XXX ±0.10	SCALE: 1:1	DATE: 2013-11-06
Angle ±3.0°	REVISION 01	DATE: 2013-11-06
UNIT:mm	菱揚精密有限公司 Ling Yang Precision Co., Ltd	FILE: XZB/LINGYANG
		DWG NO. VDS055W-A001