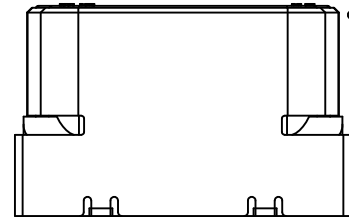
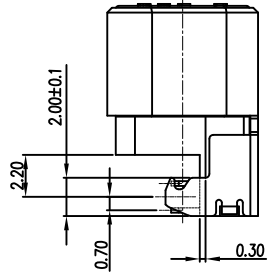
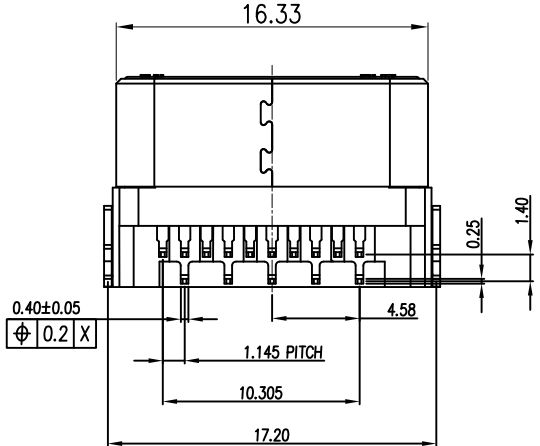
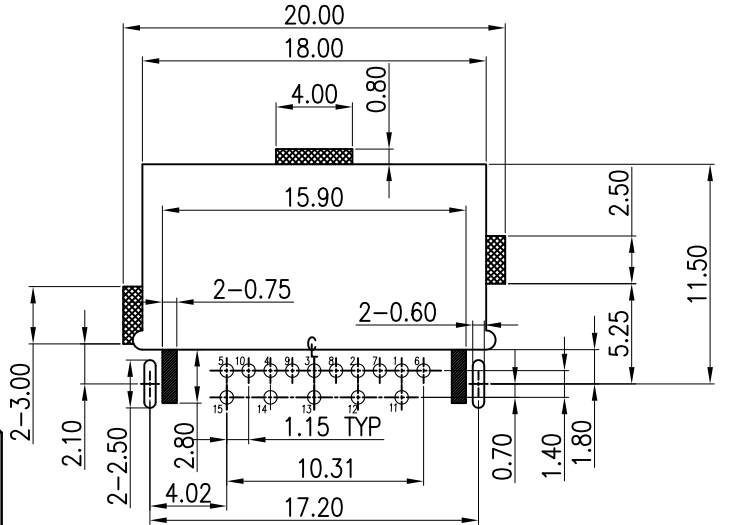
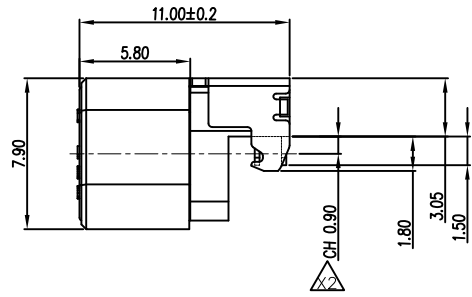
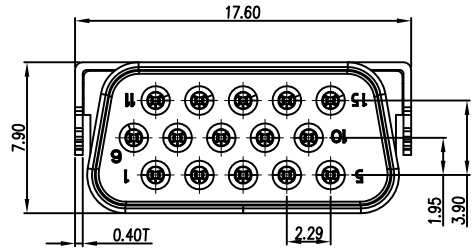


正式图 参考图 CUSTOMER DRAWING
The requirements of environmental protection
ROHS2 Halogen free

Mark	ECN NO.	DESCRIPTION	DESIGN	Date:
—	—	INITIAL RELEASE	Carlyle Xu	2014-12-25



CAP STAND OFF
 STAND OFF AREA
 GENERAL TOLERANCE±0.05mm
 RECOMMENDED PCB LAYOUT(THICKNESS=1.00mm)

1	CO	LCP UL94V-0	Choose P/N	RoHS2&H.F Fit
NO.	CODE	MATERIAL	COLOR	REMARK

TABLE A : Plastical Material

P/N: VDS063W-XXXX-XXXXXXXXX

Model P/N: _____

Plastical Material: _____
(Choose From Table A)

Color: 01:Black

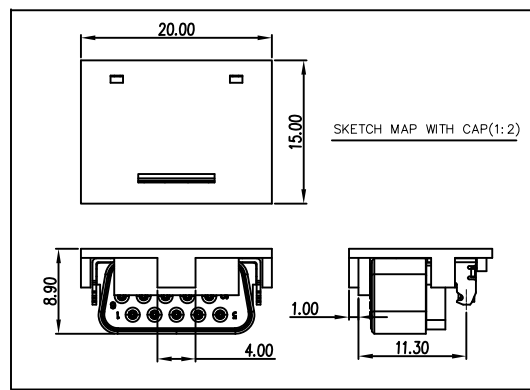
PIN Number: 15:15 Pin

Product salt mist: _____

Packing: T:Tray; R:Tape reel
Screw: WL:Without screw

Plating Code:
 0:Normal;
 1:Bright Tin;
 2:W:Matte Tin;
 A:CONTACT AREA: GOLD FLASH,SOLDER AREA:MATTE TIN1000*

- NOTES:
- 1.Rating: 250V AC(rms) 3.0A;
 - 2.Contact Resistance: ≤30Milliohm, After Test: ≤50Milliohm;
 - 3.Insulation Resistance: ≥5000Megohm(DC500V);
 - 4.Withstand Voltage: AC1000V for 1Minute;
 - 5.Insertion force: 44.5N Max;
 - 6.Extraction force: 3.34~31.15N;
 - 7.Life test: 500Cycles.
 - 8.Operating Temperature: -55°C~+125°C 85%RH Max;
 - 9.Storage Temperature: -55°C~+125°C 85%RH Max.



NO.	DESCRIPTION	QTY	PARTS MATERIAL	PLATING OR COLOR	REMARK
④	Cap	1	Choose from TABLE A	Black	-
③	Terminal	15	C2680R-H t=0.25mm	Choose from P/N Item Plating	-
②	Shell	1	SPCE-SD t=0.40mm	Ni50u"Min	-
①	Housing	1	Choose from TABLE A	Black	-

MODEL NAME:D-SUB CONNECTOR		DRAWING: Carlyle Xu	
MODEL No:VDS063W-C001-15BAWLR		CHECKED: David Zhou	
SCALE:1:1 REVISION 01 SHEET 1/1	APPROVED: Jacky Lee		DATE: 2014-12-25
	FILE: F/LINGYANG		DWG NO. VDS063W-A001
UNIT:mm 菱揚精密有限公司 Ling Yang Precision Co.,Ltd			