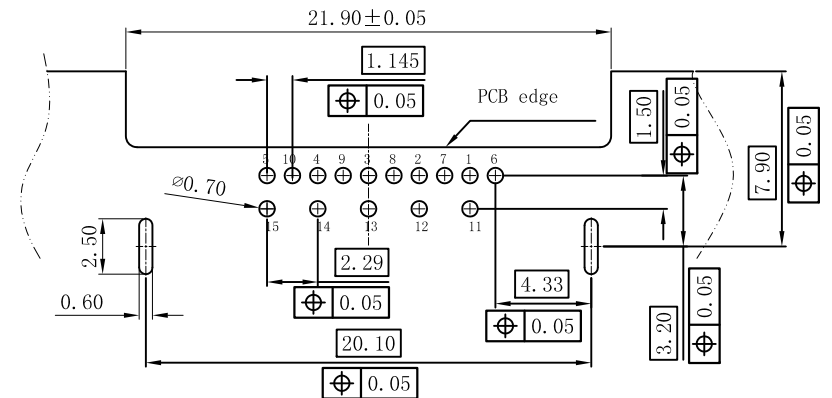
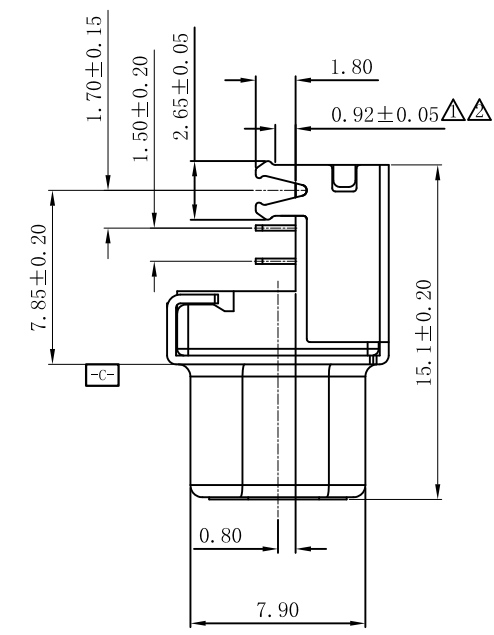
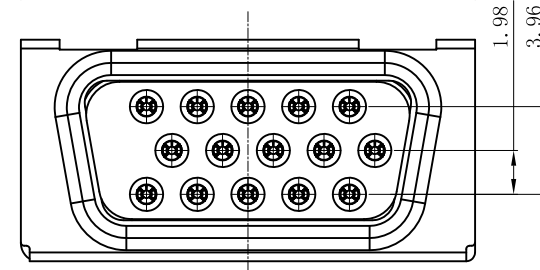
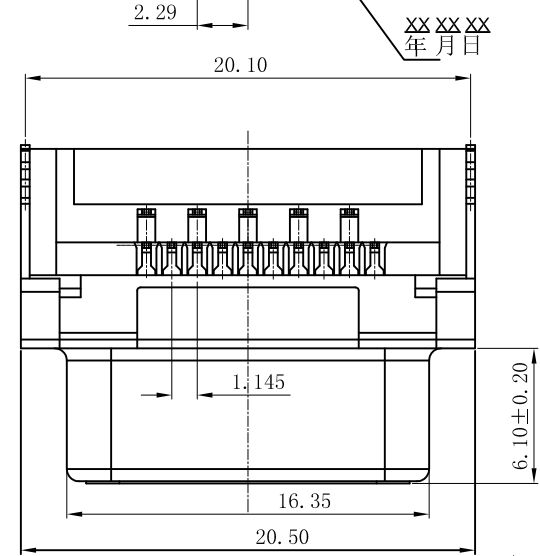
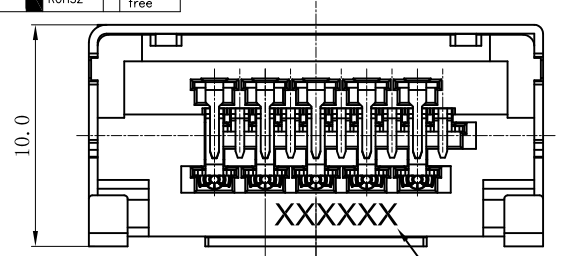


正式图	参考图	CUSTOMER DRAWING	
		The requirements of environmental protection	
ROHS2	Halogen free		

Mark	ECN NO.	DESCRIPTION	DESIGN	Date:
△*1	——	修改鱼叉尺寸	XZB	2013.06.17
△*1	——	修改鱼叉尺寸公差	XZB	2013.10.17
△*1	——	修改鱼叉宽度尺寸公差0.1改为0.05	GAVIN	2013.11.06



RECOMMENDED PCB LAYOUT
VIEW FROM CONNECTOR TOP SIDE
UNSPECIFIED TOLERANCE: ±0.05

NOTES:

- MATERIAL:
 - HOUSING: LCP UL, 94V-0, COLOR:BLACK.
 - CAP: LCP UL 94V-0, COLOR: BLACK.
 - CONTACTS: BRASS. GOLD FLASH PLATED ON CONTACT AREA, 100u"MIN. MATTE-TIN ON SOLDER TAIL, 50u"MIN. NICKEL UNDERPLATED OVER ALL.
 - SHELL: SPCC. 80u"MIN. NICKEL PLATED.
- ELECTRICAL CHARACTERISTICS:
 - Contact Current Rating: 1.0 Amp
 - Dielectric Withstanding Voltage: AC 500V r.m.s.
 - Insulation Resistance: 1000MΩ min. at DC 500V
 - Contact Resistance: 30 mΩ max.
 - Operating Temperature: -40° C to +85° C

VDS088W-C001-00A300R

MODEL P/N: VDS088W-C001-00A300R
Material: C0:LCP
Color: 01:Black
Packing Reel
Plating: A3:G/F

Tolerance X.X ±0.30 X.XX ±0.20 X.XXX ±0.10 Angle ±3.0°	Model Name: 一体SLIM15F 前十后五DIP成品 (B款 CL=0.8mm)			Drawing: ZENG YU	
	Model No: VDS088W-C001-00A300R			Checked: HUANG WEN QIU	
UNIT:mm	SCALE: 1:1	REVISION: A4	SHEET 1/1	Approved: HUANG WEN QIU	
				Date: 2013.05.22	
菱揚精密有限公司 Ling Yang Precision Co.,Ltd			FILE: XZB/LINGYANG		DWG NO. VDS088W-A002