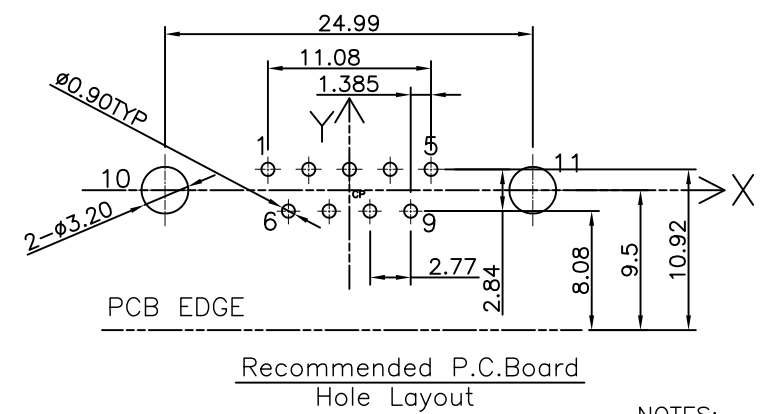
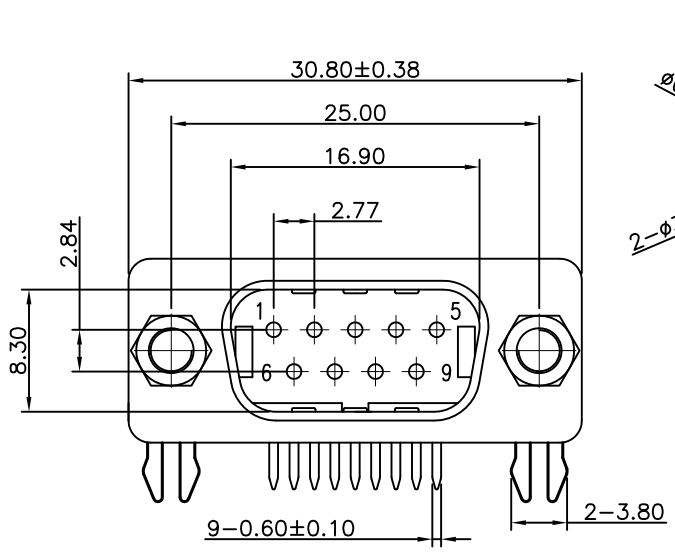


正式图 参考图
CUSTOMER DRAWING
 ROHS2 Halogen free

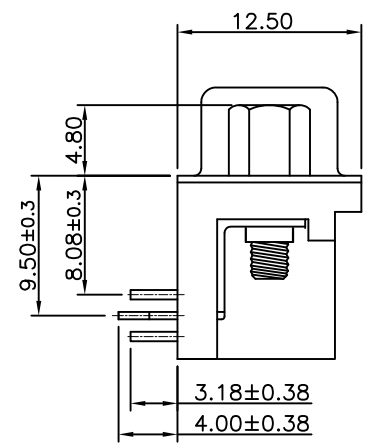
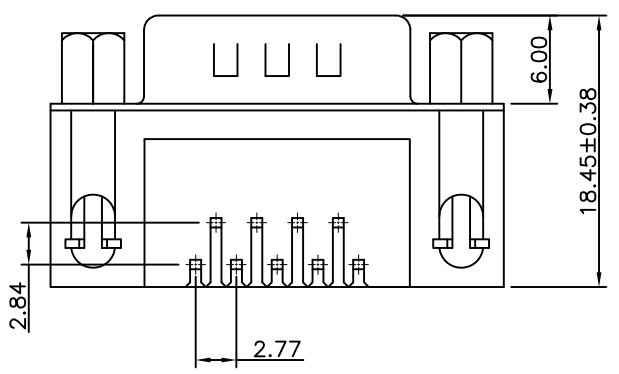
Mark	ECN NO.	DESCRIPTION	DESIGN	Date:
—	—	INITIAL RELEASE	Carlyle Xu	2015-02-10



1	B0	PBT 30%G/F UL94V-0	Choose P/N	RoHS2 Fit
NO.	CODE	MATERIAL	COLOR	REMARK

TABLE A : Plastical Material

- NOTES:
- MATERIAL:
 HOUSING: PA66 HF UL 94V-0 . COLOR: GREEN.
 CONTACTS: BRASS. GOLD PLATED ON CONTACT AREA, 100u"MIN. TIN ON SOLDER TAIL, 50u"MIN. NICKEL UNDERPLATED OVER ALL.
 SHELL: SPCC.80u"MIN. NICKEL PLATED.
 BOARDLOCKS: SPCC 100u"MIN. NICKEL PLATED.
 SCREW:STEEL.80u"MIN. NICKEL PLATED.
 - ELECTRICAL CHARACTERISTICS:
 CONTACT CURRENT RATING: 1.0 AMP
 DIELECTRIC WITHSTANDING VOLTAGE: AC 500V R.M.S.
 INSULATION RESISTANCE: 1000MΩ MIN. AT DC 500V
 CONTACT RESISTANCE: 30 mΩ MAX.
 OPERATING TEMPERATURE: -40°C TO +85°C
 - P/N:



Model P/N: VDS134W-XXXX-XXXXXXX

Plastical Material (Choose From Table A)

Housing Color: 01:Black

Pin number: 09:9 pin

Product salt mist: A:Normal;

Packing: B:Tray;

Screw:
 WL:Without screw
 S1:Attachment screw(4.8mm)
 S2:Lock screw(4.8mm)
 F1:Attachment screw(5.8mm)
 F2:Lock screw(5.8mm)

Plating Code:
 0:Plating Tin;
 3:GOLD FLASH
 5:Au 15"

NO.	DESCRIPTION	QTY	PARTS MATERIAL	PLATING OR COLOR	REMARK
①	Board lock	2	C2680R t=0.60mm	100u" Ni Plated	-
②	Terminal	15	C2680R t=0.25mm	Choose from P/N Plating	50u" Ni Plated all
③	Shell	1	SPCC t=0.40mm	80u" Ni Plated	-
④	Housing	1	Choose from TABLE A	Color:Choose from P/N Color	-

Tolerance X.X ±0.38 X.XX ±0.25 X.XXX ±0.15 Angle ±3.0'	MODEL NAME:D-SUB 9PIN CONNECTOR	DRAWING: Carlyle Xu	
	MODEL No:VDS136W-D001-09A5S2B	CHECKED: David Zhou	
	SCALE:1:1	REVISION AO	SHEET 1/1
		APPROVED:Jacky Lee	
		DATE: 2015.02.10	
UNIT:mm	菱揚精密有限公司 Ling Yang Precision Co.,Ltd		FILE: F/LINGYANG
			DWG NO.VDS136W-A002