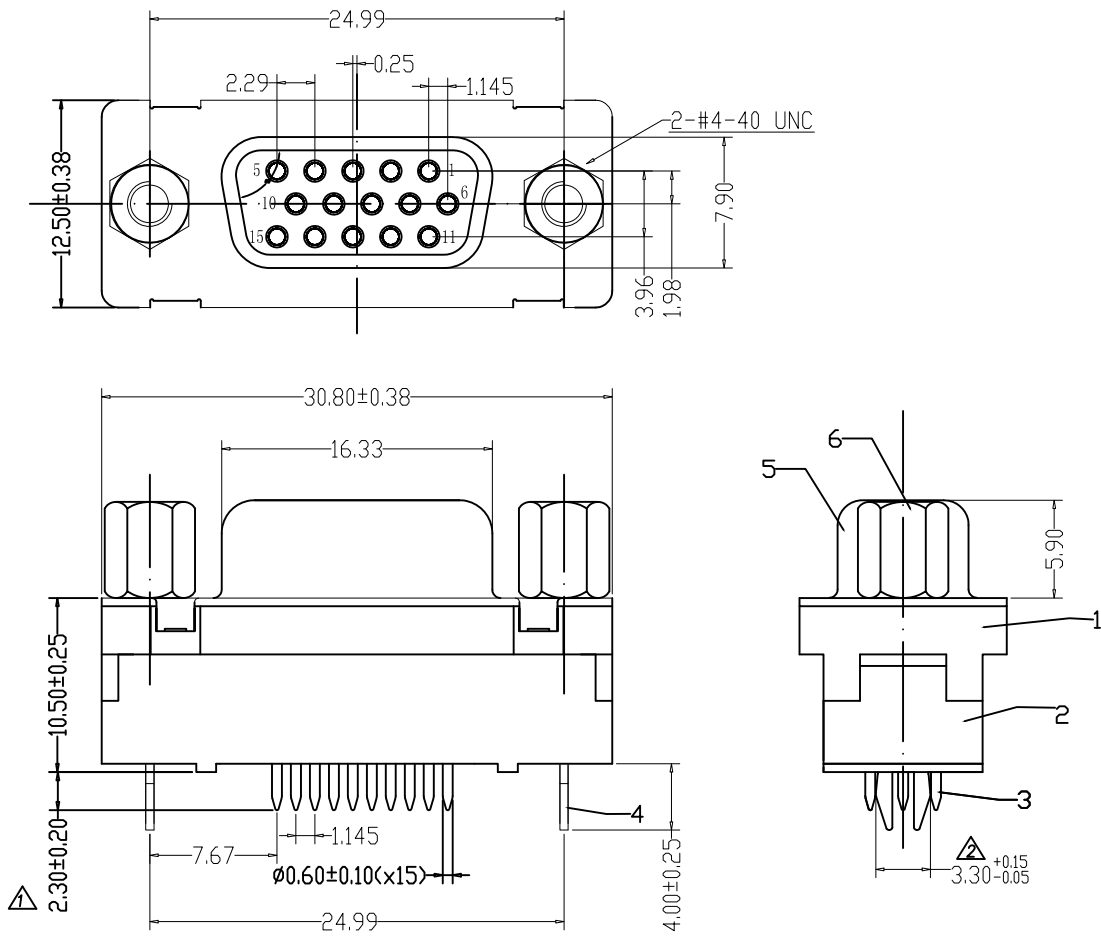


正式图 参考图

Mark	ECN NO.	DESCRIPTION	DESIGN	Date:
△	EN131230-001	Modify the terminal length	ZENG YU	2013.12.30
△	EN140214-001	Modify the boardlocks terminal	ZENG YU	2014.02.14



**ELECTRICAL CHARACTERISTICS:**  
 Contact Current Rating: 1.0 Amp  
 Dielectric Withstanding Voltage: AC 500V r. m. s.  
 Insulation Resistance: 1000MΩ min. at DC 500V  
 Contact Resistance: 30 mΩ max.  
 Operating Temperature: -40° C to +85° C

NO.	PRODUCT NO.	MATERIAL OF PLASTIC	COLOR OF PLASTIC	REMARK
4	VDS047W-D007-00AXXXXB	PA66+30%GF 94V-0	BLUE	(RoHS Fit)
3	VDS047W-D001-00AXXXXB	PA66+30%GF 94V-0	BLACK	(RoHS Fit)
2	VDS047W-B007-00XXXXXB	PBT 4815 UL94V-0	BLUE	(RoHS Fit)
1	VDS047W-B001-00XXXXXB	PBT 4815 UL94V-0	BLACK	(RoHS Fit)

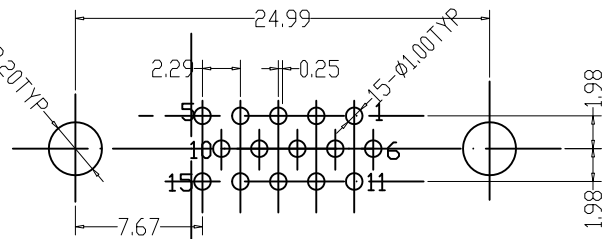
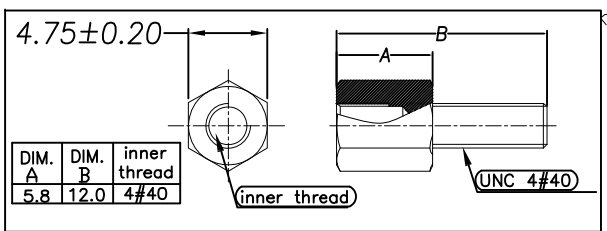
TABLE A : Material of Housing

NO.	PRODUCT NO.	SHIELD	TERMINAL	REMARK
2	VDS047W-XXXX-00AXXXB	Cu20Ni*+Ni*100u" (MIN)	AS OF ON CONTACT AREA+Ni*5u" UNDER OVER ALL-THE TOP ON SOLD TAIL	(48H)
1	VDS047W-XXXX-00AXXXB	Cu20Ni*+Ni*80u" (MIN)	AS OF ON CONTACT AREA+Ni*5u" UNDER OVER ALL-THE TOP ON SOLD TAIL	

TABLE B : Plating of SHIELD & Terminal

VDS047W-XXXX-00XXXXB

Model P/N \_\_\_\_\_  
 Material of Plastic \_\_\_\_\_ (Table A)  
 Color of Plastic \_\_\_\_\_ (Table A)  
 Packing: Tray  
 Screw:  
 WL: Without screw(4.8mm)  
 S1: Attachment screw(4.8mm)  
 S2: Lock screw(4.8mm)  
 F1: Attachment screw(5.8mm)  
 F2: Lock screw(5.8mm)  
 Plating (Table B)



NO	DESCRIPTION	QTY	MATERIAL	PLATING/COLOR
6	SCREW	2	SPCC	PLATED NICKEL
5	SHELL	1	SPCC	SEE TABLE B
4	BOARDLOCKS	2	SPCC	Ni:50u"+Tin:100u"
3	TERMINAL	15	BRASS C2680	SEE TABLE B
2	COVER	1	SEE TABLE A	SEE TABLE A
1	HOUSING	1	SEE TABLE A	SEE TABLE A

Tolerance X.X ±0.30 X.XX ±0.20 X.XXX ±0.10 Angle ±3.0°	Model Name: D-SUB Model No: VDS047W-D007-00A2F2B	Drawing: MIAD XUE TING Checked: ZENG YU Approved: HUANG WEN QIU Date: 2013.07.08
UNIT:mm	SCALE:FULL REVISION: A2 SHEET 1/1	FILE:XZB/LINGYANG DWG NO. VDS047W-A002

菱揚精密有限公司  
 Ling Yang Precision Co., Ltd