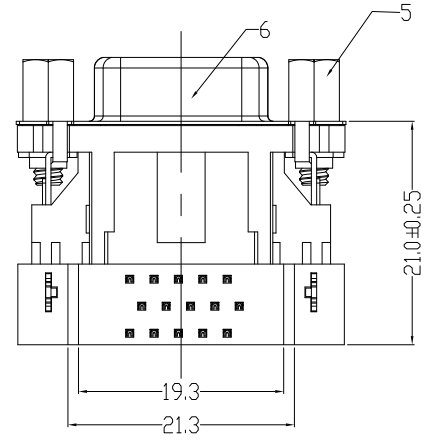
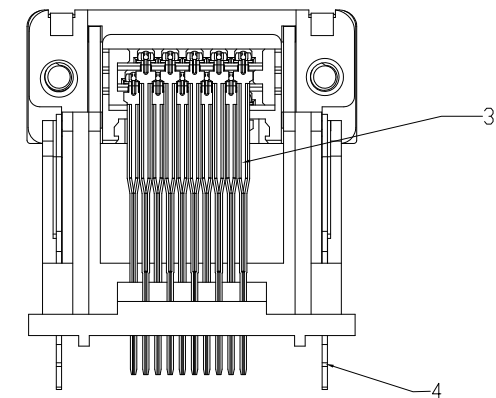
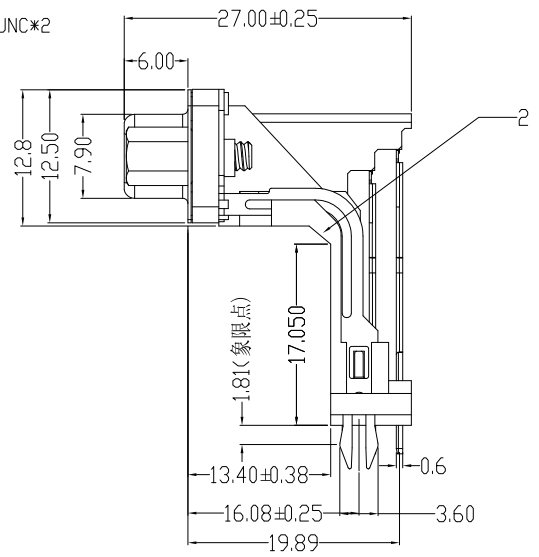
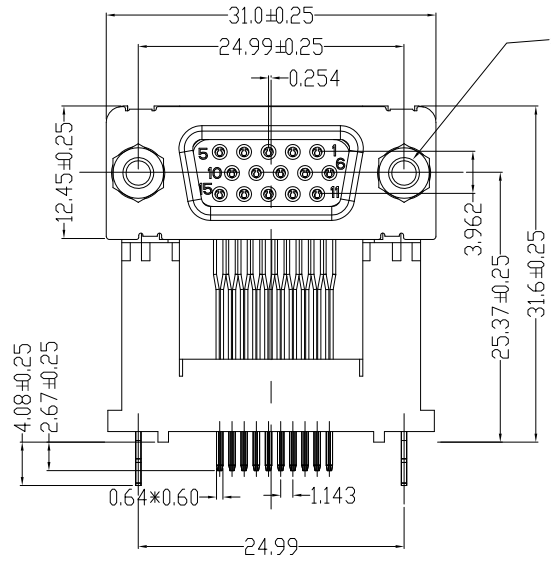
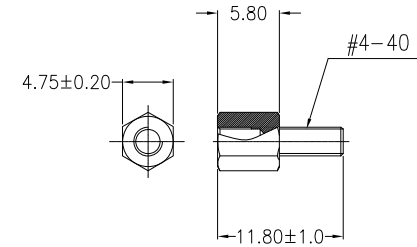
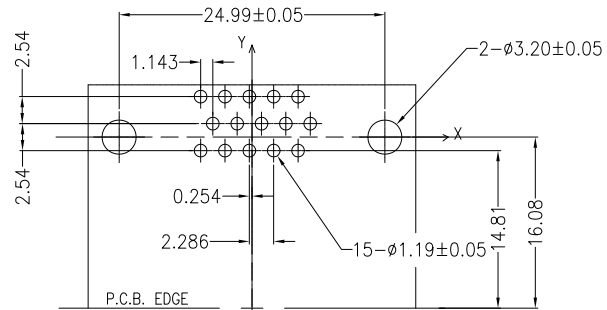
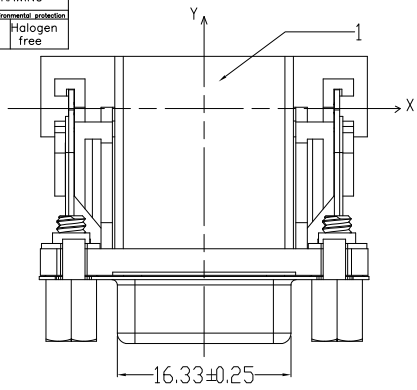


正式图 参考图 CUSTOMER DRAWING  
 the requirements of environmental protection  
 ROHS2 Halogen free

Mark	ECN NO.	DESCRIPTION	DESIGN	Date:
		NEW VERSION	ZENG YU	2013.09.09



NO.	PART NAME	QTY	MATERIAL	Plating/Color	NOTE
6	SHELL	1	SPCC-SD t=0.40mm	Cu 120u*(Min) under plated over all , 120u*(Min) Nickel Plated	Salt mist 72Hours
5	SCREW	2	STEEL	1200u*(Min) Nickel Plated,Cu 100u*(Min) under plated over all.	Salt mist 72Hours
4	BOARD LOCK	2	SPCC t=0.50mm	80u*(Min) Tin Plated, 120u*(Min) Nickel under plated over all, Cu 120u* min under plated over all.	Salt mist 72Hours
3	CONTACT	15	BRASS(C2680) t=0.20mm	Au 0.8u*(Min) on contact area,Sn 80u*(Min) on soldering tail, 25u*(Min) Nickel plated	Salt mist 24Hours
2	BRACKET	1	PBT 30%G/F UL94V-0	BLUE661C	Rohs2
1	HOUSING	1	PBT 30%G/F UL94V-0	BLUE661C	Rohs2

Tolerance	Model Name: D-SUB 15P HIGH RISE CONNECTOR		Drawing: ZENG YU	
X.X ±0.30	Model No: VDS046W-B007-00A3SLB		Checked: HUANG WEN QIU	
X.XX ±0.20	SCALE: 1:1	REVISION: A0	SHEET 1/1	Approved: XIAO ZHONG BO
X.XXX ±0.10				Date: 2013.09.09
Angle ±3.0°	Ling Yang Enterprise Co.,Ltd		FILE? XZB/LINGYANG	
UNIT:mm	LING YANG 菱揚精密有限公司		DWG NO. VDS046W-A003	