

NOTE:

MATERIALS:

- Housing: PBT 25+25% G/F,UL94-V0 Color:Black
- Cover: PA66 30+30% G/F,UL94-V0 Color:Black
- Contacts: Brass(C2680) T=0.30±0.02mm Salt Mist 24H
- Shell: Spcc T=0.5±0.03mm Salt Mist 48H
- Board Lock: Brass(C2680) T=0.40±0.02mm Salt Mist 48H
- Shield:Spcc T=0.30±0.03mm Salt Mist 48H
- Screw:Brass(C3602) Salt Mist 48H

FINSH:

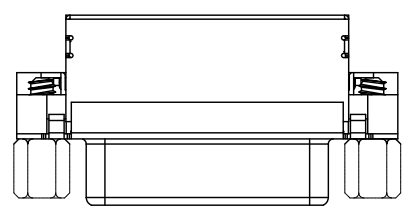
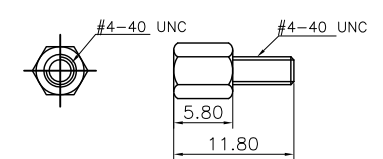
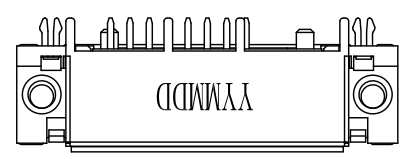
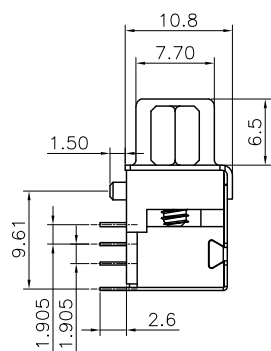
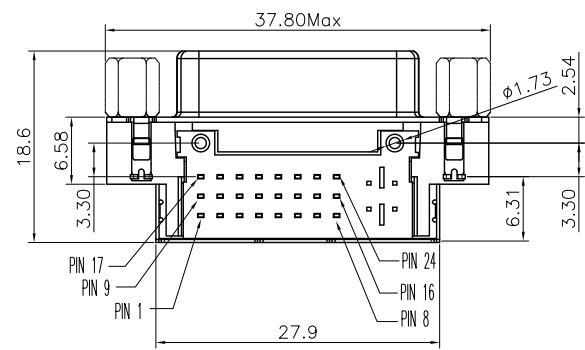
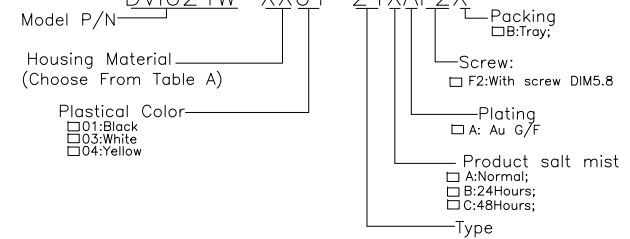
- Contacts: GOLD FLASH(1u"min) PLATED ON CONTACT AREA, 100u"MIN. TIN ON SOLDER TAIL, 50u"MIN. NICKEL UNDERPLATED OVER ALL.
- Shell: 80u"MIN. NICKEL PLATED.50u"MIN Cu UNDERPLATED OVER ALL.
- Board Lock: 100u" TIN PLATED. 50u"MIN. NICKEL UNDERPLATED OVER ALL. 50u"MIN Cu UNDERPLATED OVER ALL
- Shield: 80u"MIN. NICKEL PLATED.50u"MIN Cu UNDERPLATED OVER ALL SHIELD FOOT MANUAL ADHERE TIN
- Screw: 80u"MIN. NICKEL PLATED.50u"MIN Cu UNDERPLATED OVER AL

NO.	CODE	MATERIAL	COLOR	REMARK
2	B4	PBT 30%G/F UL94V-0	Choose P/N	RoHS2&H.F Fit
1	B0	PBT 30%G/F UL94V-0	Choose P/N	RoHS2 Fit

TABLE A : Plastical Material

P/N:

DVIO24W-XX01-24XAF2X



Tolerance X.X ±0.30 X.XX ±0.20 X.XXX ±0.10 Angle ±3.0°	MODEL NAME: DV124+1母頭改進版90° DIP半包帶屏蔽置成品	DRAWING: Carlyle xu
	MODEL No:DVIO24W-XX01-24BAF2B	CHECKED: David zhou
UNIT:mm	SCALE:1:1	APPROVED: Jacky Lee
	REVISION AO	DATE: 2015-03-24
	1/1	FILE: F/LINGYANG
	菱揚精密有限公司 Ling Yang Precision Co.,Ltd	DWG NO. DVIO24W-A002