

RECOMMEND P.C.B LAYOUT
TOLERANCE ±0.05

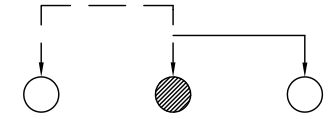
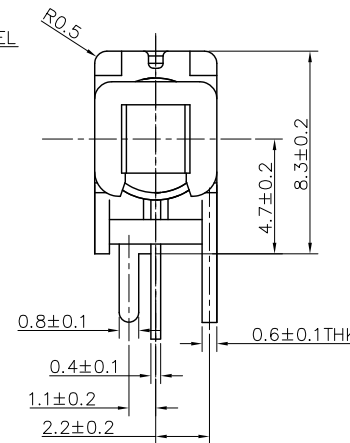
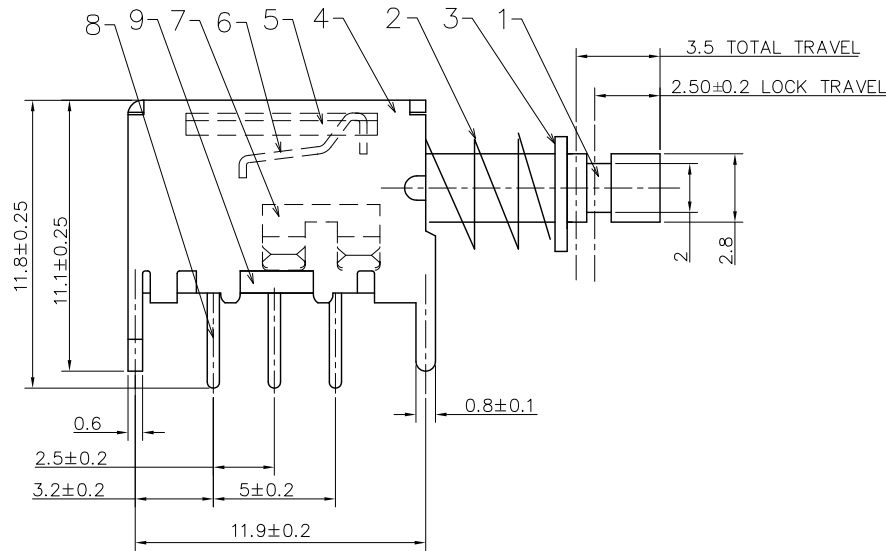


TABLE A: SCHEMATIC: A0

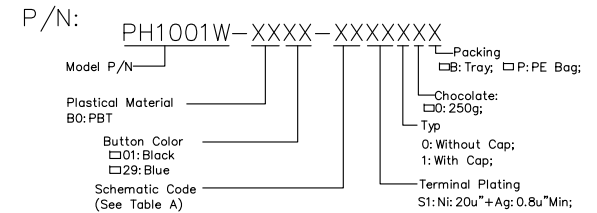


SPECIFICATIONS

- 1.Rating: 0.3A 50V DC
- 2.Life Test: 10,000cycles
- 3.Contact Resistance: 50milliohms Max.(DC 500V)
- 4.Insulation Resistance: 100megohms Min
- 5.Withstand Voltage: AC 500V for 1Minute;
- 6.Operating Force : 250gf ± 100 gf
- 7.Actuation Travel : 3.50 ± 0.25 mm

TABLE E : Parts of Product

NO.	PART NAME	MATERIAL	QTY.	FINISHING
9	SPRING PLATE		1	NATURAL
8	LOCK PIN	BRASS T=0.4mm	6	40u"Min Ni plated
7	CLIP	PBS T=0.05mm	1	0.5u"Min CLAD
6	TERMINAL CASE	PHENOLIC RESIN ø0.5mm	1	NATURAL
5	TERMINAL	BRASS T=0.1mm	3	20u"Min Ni,0.8u"Min Ag PLATED
4	COVER	MILD STEEL T=0.5mm	1	80u"Min Ni plated
3	BLOCK	MILD STEEL T=0.5mm	1	80u"Min Ni plated
2	SPRING	SUS ø0.4mm	1	80u"Min Ni plated
1	KNOB	PBT UL94-V0	1	BLUE



Tolerance	Model Name: PUSH SW	Drawing: Carlyle Xu
X.X ±0.20	Model No: PH1001W-B029-A0S100B	Checked: David Zhou
X.XX ±0.10	SCALE: 1:1	REVISION: A0
X.XXX ±0.05	SHEET 1/1	Approved: Jacky Lee
Angle ±3.0°		Date: 2013.01.02
UNIT:mm	菱揚精密有限公司 Ling Yang Precision Co.,Ltd	FILE: LIXIAONA/DRAWING DWG NO. PH1001W-B002