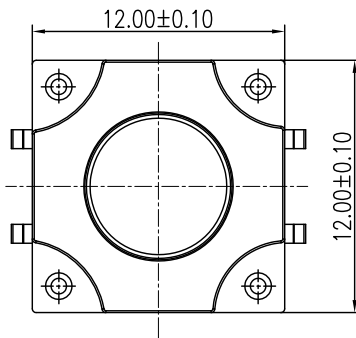
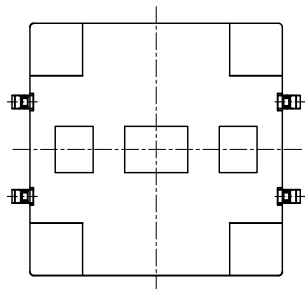


NOTES:
 1.Rating: Voltage DC12V, Current 50mA Max;
 2.Contact Resistance:≤50Milliohm;
 3.Insulation Resistance:≥100 Megohm(DC100V);
 4.Withstand Voltage:AC250V for 1Minute;
 5.Full Travel:0.25±0.1mm;
 6.Operating Temperature:-20°C~+85°C;
 6.Storage Temperature:-30°C~+85°C.

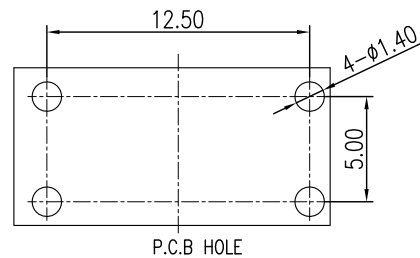
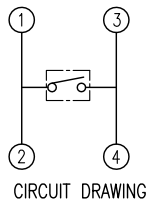


2	D6	PA66 30%G/F UL94V-0	PA66 30%G/F UL94V-0	RoHS2&H.F Fit
1	D0	PA66 30%G/F UL94V-0	PA66 30%G/F UL94V-0	RoHS2 Fit
NO.	CODE	HOUSING MATERIAL	BUTTON MATERIAL	REMARK

TABLE A : Plactical Material

CHOOSE														
CODE	0430	0500	0750	0800	0850	0900	0950	1000	1100	1150	1200	1400	1500	
HEIGHT/mm	4.3	5.0	7.5	8.0	8.5	9.0	9.5	10.0	11.0	11.5	12.0	14.0	15.0	

TABLE B



P/N: TC1004W-XXXX-XXXXXXX
 Model P/N: _____
 Plactical Material: _____ (Choose From Table A)
 Button Color: _____
 Packing:
 B:Tray; R:Tape reel;
 T:Tube; P:PE Bag
 Chocolate:
 0:100g; 6:160g;
 8:180g; A:250g;
 Typ
 H:Horizontal;
 V:Vertical;
 Height of the key
 (Choose from TABLE B)

NO.	DESCRIPTION	QTY	PARTS MATERIAL	PLATING OR COLOR	REMARK
6	Waterproof	1	橡胶垫	X	
5	Cover	1	PA66	Black	
4	Spring	1	Stainless steel	Plating silver	
3	Button	1	PA66	Choose from P/N color item	
2	Contact	1	Brass	Plating silver	
1	Housing	1	PA66	Black	

Tolerance X.X ±0.30 X.XX ±0.20 X.XXX ±0.10 Angle ±3.0'	MODEL NAME:TACT SWITCH MODEL No:TC1004W-XXXX-XXXXVXX	DRAWING: Miao Xue Ting CHECKED: Zeng Yu
UNIT:mm	SCALE:1:1 REVISION A0	SHEET 1/1
	菱揚精密有限公司 Ling Yang Precision Co.,Ltd	DATE: 2014.02.11. FILE: XZB/LINGYANG DWG NO.TS1004W-A001