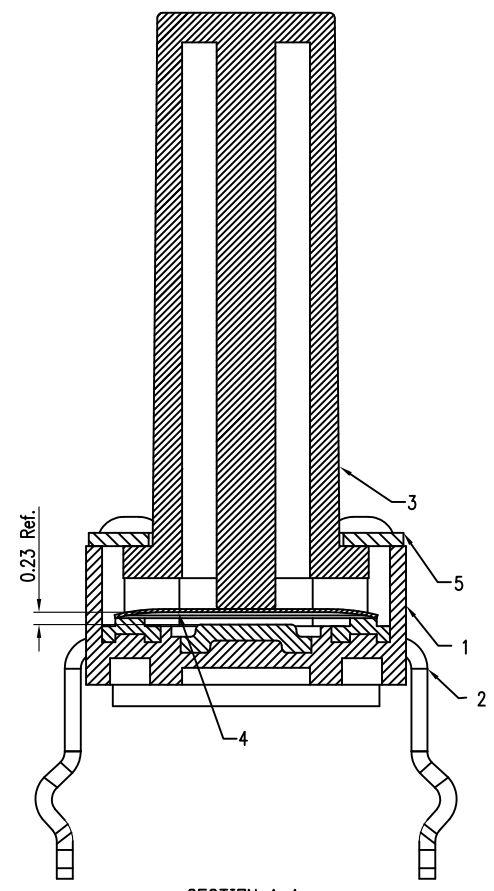
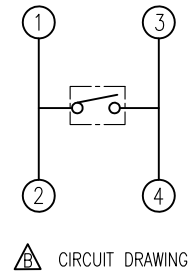
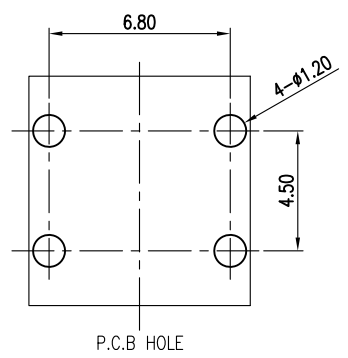
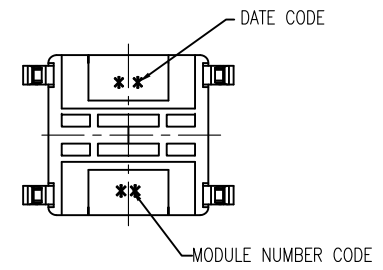
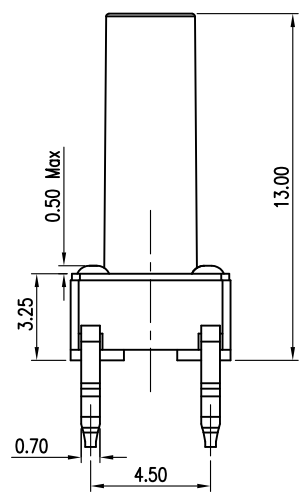
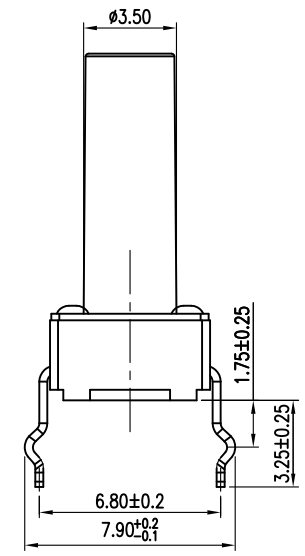
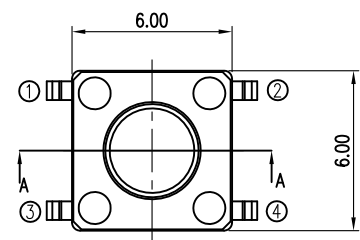


???

Mark	ECN NO.	DESCRIPTION	DESIGN	Date:



BILL OF MATERIAL :

ITEM	PART NUME	Q'TY/EA	MATERIAL	FINISH
5	COVER	1	Mn	PLATING NICKEL
4	SPRING	1	PHOSPHOR BRONZE	PLATING SILVER
3	BUTTON	1	PA66	BLACK
2	CONTACT	1	BRASS	PLATING SILVER
1	HOUSING	1	PA66	BLACK

Tolerance	Model Name: TACT SWITCH SERIES	Drawing: MIAO XUE TING
X.X ±0.30	Model No: TC1104W-13.0-160	Checked: XIAO ZHONG BO
X.XX ±0.20	SCALE: FULL	Approved: XIAO ZHONG BO
X.XXX ±0.10		REVISION: A0
Angle ±3.0°	SHEET 1/1	Date: 2013-01-12
UNIT:mm	菱揚精密有限公司 Ling Yang Precision Co.,Ltd	FILE:
		DWG NO.