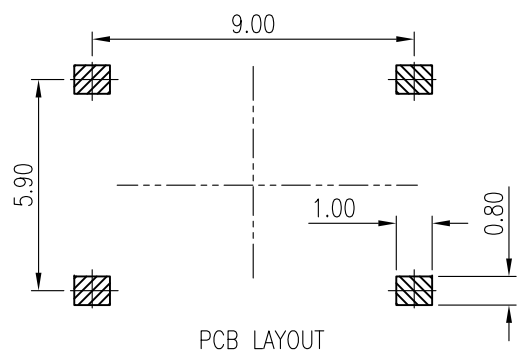


CIRCUIT DRAWING



PCB LAYOUT

NOTES:  
 1.Rating: Voltage DC12V, Current 50mA Max;  
 2.Contact Resistance:≤50Milliohm;  
 3.Insulation Resistance:≥100 Megohm(DC100V);  
 4.Withstand Voltage:AC250V for 1Minute;  
 5.Full Travel:0.25±0.1mm;  
 6.Storage Temperature:-30°C~+85°C;

2	D6	P66 30%G/F UL94V-0	P66 30%G/F UL94V-0	RoHS2&H.F Fit
1	D0	P66 30%G/F UL94V-0	P66 30%G/F UL94V-0	RoHS2 Fit
NO.	CODE	HOUSING MATERIAL	BUTTON MATERIAL	REMARK

TABLE A : Plastical Material

CHOOSE					
CODE	0250	0260	0270	0310	0340
DIM A/mm	2.50	2.60	2.70	3.10	3.40

TABLE B

P/N: TC1306B-XXXX-XXXXXXXX  
 Model P/N \_\_\_\_\_ Packing  
 \_\_\_\_\_  
 Plastical Material \_\_\_\_\_ Chocolate:  
 (Choose From Table A) \_\_\_\_\_  
 Button Color \_\_\_\_\_ Typ  
 \_\_\_\_\_ S:SMT Type  
 \_\_\_\_\_ Height of the key  
 (Choose from TABLE B)

5	Spring	1	Stainless steel	Plating sliver	
4	Button	1	Choose from table A	Choose from P/N color item	
3	Cover	1	Stainless steel	No plating	
2	Contact	1	Brass	Plating sliver	
1	Housing	1	Choose from table A	Black	
NO.	DESCRIPTION	QTY	PARTS MATERIAL	PLATING OR COLOR	REMARK

Tolerance	MODEL NAME:TACT SWITCH	DRAWING: Miao Xue Ting
X.X ±0.30	MODEL No:TC1306B-XXXX-XXXXSXX	CHECKED: Zeng Yu
X.XX ±0.20	SCALE:1:1	REVISION SHEET
X.XXX ±0.10	A0	1/1
Angle ±3.0°	UNIT:mm	FILE: XZB/LINGYANG
	Ling Yang Precision Co.,Ltd	DWG NO.TC1306B-A001