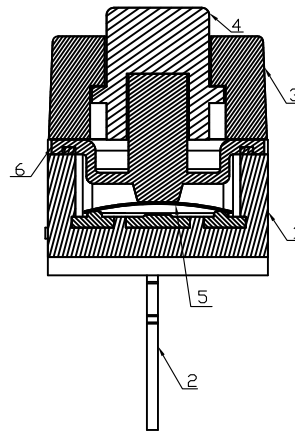
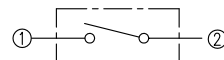


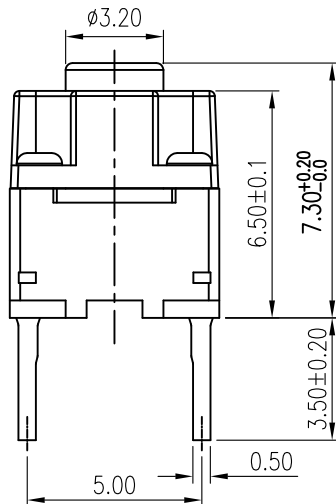
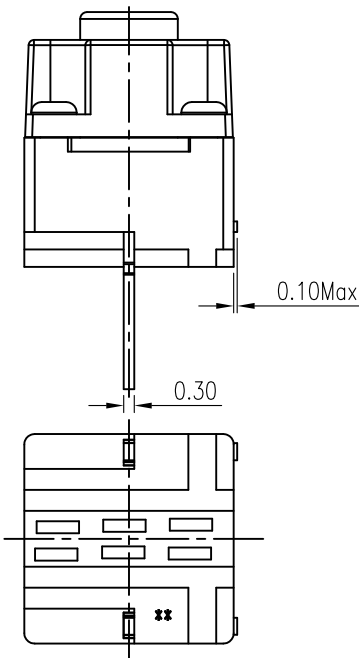
P.C.B HOLE



SECTION A-A



CIRCUIT DRAWING



- NOTES:
- 1.Rating: Voltage DC12V, Current 50mA Max;
 - 2.Contact Resistance:≤50Milliohm;
 - 3.Insulation Resistance:≥100 Megohm(DC100V);
 - 4.Withstand Voltage:AC250V for 1Minute;
 - 5.Full Travel:0.25±0.1mm;
 - 6.Operating Temperature:-20°C~+85°C;
 - 6.Storage Temperature:-30°C~+85°C.

NO.	CODE	HOUSING MATERIAL	BUTTON MATERIAL	REMARK
2	D6	P66 30%G/F UL94V-0	P66 30%G/F UL94V-0	RoHS2&H.F Fit
1	D0	P66 30%G/F UL94V-0	P66 30%G/F UL94V-0	RoHS2 Fit

TABLE A : Plactical Material

CHOOSE									
CODE	0730	0800	0850	0900	0950	1000	1100	1150	1200
DIM A/mm	7.3	8.0	8.5	9.0	9.5	10.0	11.0	11.5	12.0

TABLE B

P/N:

IC1307B-XXXX-XXXXXXX

Model P/N

Packing

- B:Tray; R:Tape reel;
- T:Tube; P:PE Bag

Plactical Material
(Choose From Table A)

Chocolate:

- 0:100g 6:160g;
- 8:180g A:260g.

Typ

V:Vertical; S:SMT.

Button Color

- 01:Black
- 02:Red
- 03:White
- 04:Yellow
- 08:Gray

Height of the key

(Choose from TABLE B)

NO.	DESCRIPTION	QTY	PARTS MATERIAL	PLATING OR COLOR	REMARK
6	Waterproof	1	Rubber pad	Black	
5	Spring	1	Stainless steel	Plating silver	
4	Button	1	Choose from table A	Choose from P/N color item	
3	Cover	1	Choose from table A	Black	
2	Contact	1	Brass	Plating silver	
1	Housing	1	Choose from table A	Black	

Tolerance	MODEL NAME:TACT SWITCH		DRAWING: Miao Xue Ting
X.X ±0.30	MODEL No:TC1307B-XXXX-XXXXVXX		CHECKED: Zeng Yu
X.XX ±0.20	SCALE:1:1	REVISION A0	APPROVED: Xiao Zhong Bo
X.XXX ±0.10			
Angle ±3.0°	UNIT:mm		DATE: 2014.03.31.
	菱揚精密有限公司 Ling Yang Precision Co.,Ltd		FILE: XZB/LINGYANG
			DWG NO.TC1307B-A001