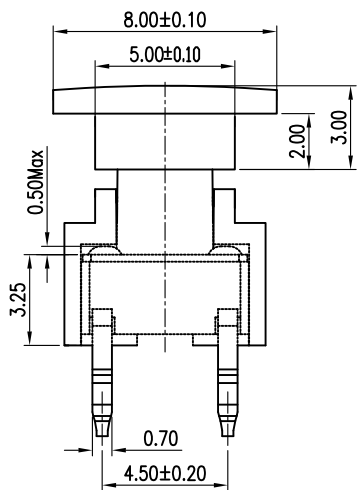
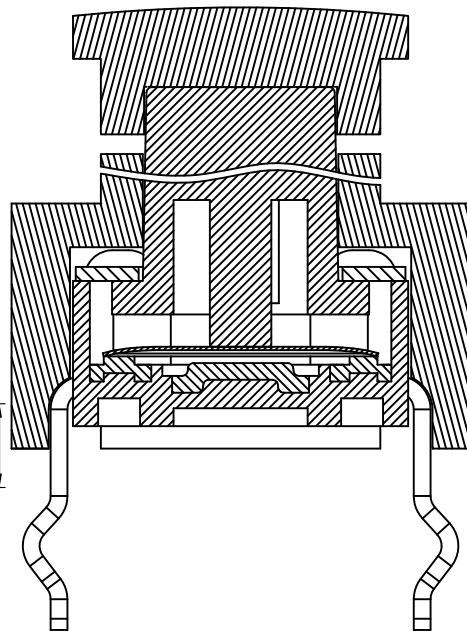


CIRCUIT DRAWING



SECTION A-A  
( X 2 )



- NOTES:
- Rating: Voltage DC12V, Current 50mA Max;
  - Contact Resistance: ≤50Milliohm;
  - Insulation Resistance: ≥100 Megohm(DC100V);
  - Withstand Voltage: AC250V for 1Minute;
  - Full Travel: 0.25±0.1mm;
  - Operating Temperature: -20°C~+85°C;
  - Storage Temperature: -30°C~+85°C.

NO.	CODE	HOUSING MATERIAL	BUTTON MATERIAL	REMARK
2	D6	P66 30%G/F UL94V-0	P66 30%G/F UL94V-0	RoHS2&H.F Fit
1	D0	P66 30%G/F UL94V-0	P66 30%G/F UL94V-0	RoHS2 Fit

TABLE A : Plastical Material

CHOOSE	CODE	DIM A/mm	0430	0450	0500	0550	0600	0650	0700	0750	0800	0850	0900	0950	1000	1100	1150	1200	1300	1450
			4.30	4.50	5.0	5.50	6.0	6.5	7.0	7.5	8.0	8.5	9.0	9.5	10.0	11.0	11.5	12.0	13.0	14.5

TABLE B

P/N:

TC1314W-XXXX-XXXXXXXX

Model P/N

Plastical Material  
(Choose From Table A)

Button Color

- 01:Black
- 02:Red
- 03:White
- 04:Yellow
- 08:Gray

Packing

- B:Tray;  R:Tape reel;
- T:Tube;  P:PE Bag

Chocolate:

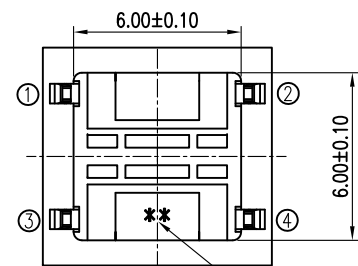
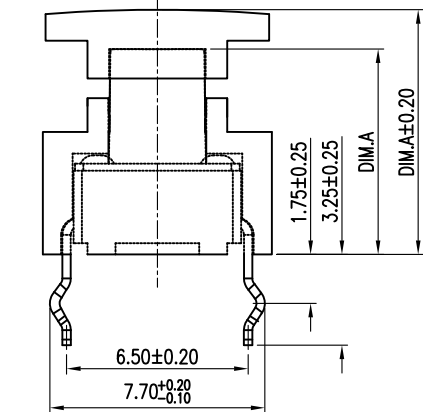
- 0:100g  6:160g;
- 8:180g  A:260g.

Typ

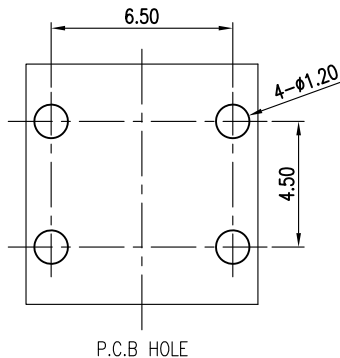
V:Vertical;

Height of the key

(Choose from TABLE B)



MODULE NUMBER CODE



P.C.B HOLE

Tolerance	MODEL NAME:TACT SWITCH	DRAWING: Miao Xue Ting
X.X ±0.30	MODEL No:TC1314W-XXXX-XXXXVXX	CHECKED: Zeng Yu
X.XX ±0.20	SCALE:1:1	REVISION SHEET
X.XXX ±0.10		
Angle ±3.0°	UNIT:mm	DATE: 2014.03.31.
	菱揚精密有限公司 Ling Yang Precision Co.,Ltd	FILE: XZB/LINGYANG
		DWG NO.TC1314W-A001