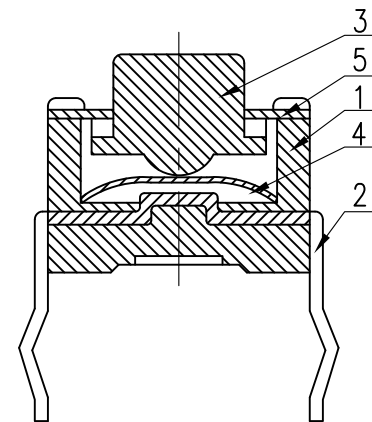
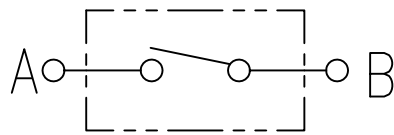
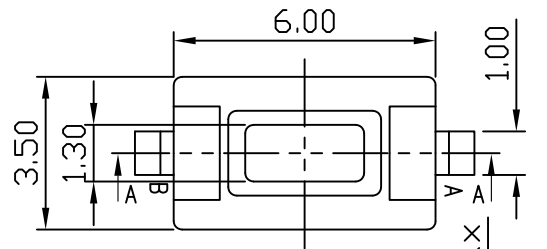
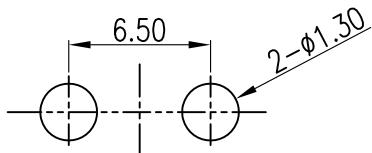
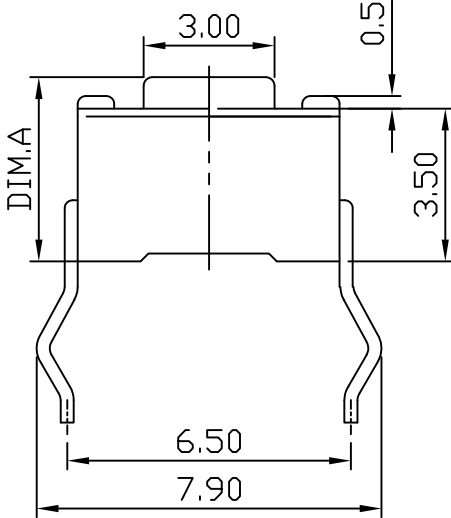


正式图	参考图	CUSTOMER DRAWING	
		The requirements of environmental protection	
		ROHS2	Halogen free

Mark	ECN NO.	DESCRIPTION	DESIGN	Date:
---	---	NEW VERSION	Zeng Yu	2014-03-31



SECTION A-A



P.C.B HOLE

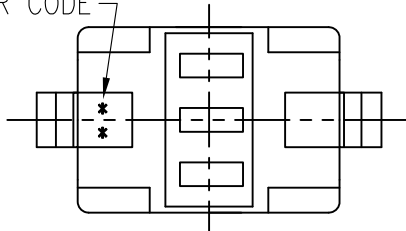
2	D6	P66 30%G/F UL94V-0	P66 30%G/F UL94V-0	RoHS2&H.F Fit
1	D0	P66 30%G/F UL94V-0	P66 30%G/F UL94V-0	RoHS2 Fit
NO.	CODE	HOUSING MATERIAL	BUTTON MATERIAL	REMARK

TABLE A : Plactical Material

CHOOSE			
CODE	0430	0500	0600
DIM A/mm	4.3	5.0	6.0

TABLE B

MODULE NUMBER CODE



- NOTES:
- 1.Rating: Voltage DC12V, Current 50mA Max;
 - 2.Contact Resistance:≤50Milliohm;
 - 3.Insulation Resistance:≥100 Megohm(DC100V);
 - 4.Withstand Voltage:AC250V for 1Minute;
 - 5.Full Travel:0.25±0.1mm;
 - 6.Operating Temperature:-20°C~+85°C;
 - 6.Storage Temperature:-30°C~+85°C.

P/N:

IC1701W-XXXX-XXXXXXX

Model P/N _____

Plactical Material _____
(Choose From Table A)

Button Color _____

- 01:Black
- 02:Red
- 03:White
- 04:Yellow
- 08:Gray

Packing

- B:Tray; R:Tape reel;
- T:Tube; P:PE Bag

Chocolate:

- 0:100g 6:160g;
- 8:180g A:260g.

Typ _____

V:Vertical;

Height of the key _____
(Choose from TABLE B)

5	Cover	1	Brass	Plating Nickel	
4	Spring	1	Stainless steel	Plating silver	
3	Button	1	Choose from table A	Choose from P/N color item	
2	Contact	1	Brass	Plating silver	
1	Housing	1	Choose from table A	Black	
NO.	DESCRIPTION	QTY	PARTS MATERIAL	PLATING OR COLOR	REMARK

Tolerance	MODEL NAME:TACT SWITCH	DRAWING: Miao Xue Ting
X.X ±0.30	MODEL No:TC1701W-XXXX-XXXXVXX	CHECKED: Zeng Yu
X.XX ±0.20	SCALE:1:1	APPROVED: Xiao Zhong Bo
X.XXX ±0.10		REVISION SHEET
Angle ±3.0°	A0	DATE: 2014.03.31.
UNIT:mm	菱揚精密有限公司 Ling Yang Precision Co.,Ltd	FILE: XZB/LINGYANG DWG NO.TC1701W-A001

