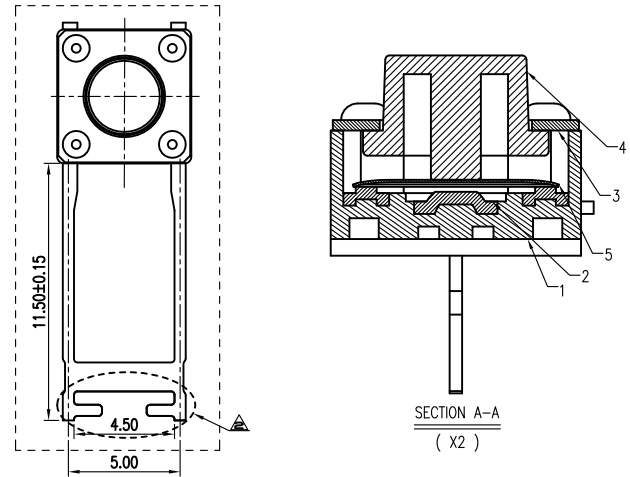
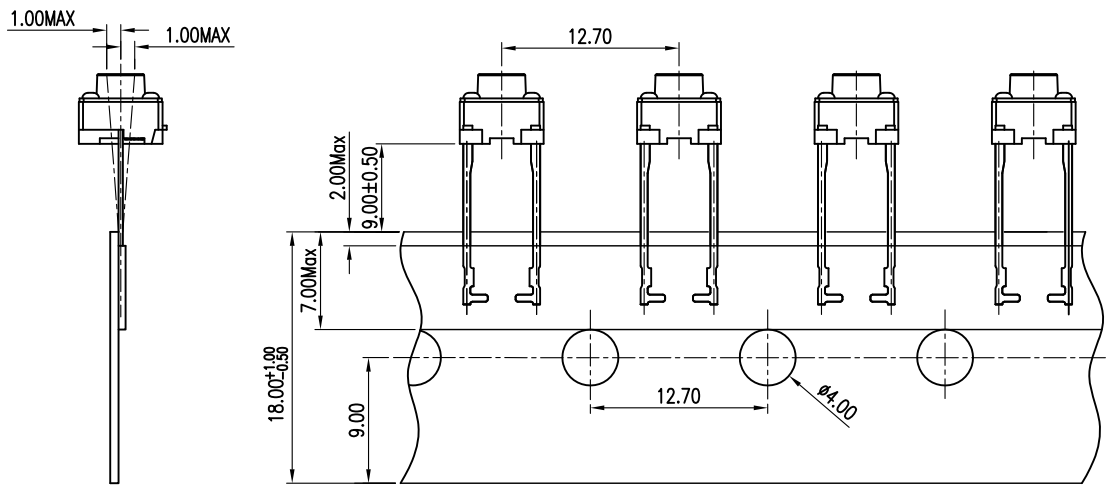


正式图	参考图	CUSTOMER DRAWING	
		ROHS2	Halogen free

Mark	ECN NO.	DESCRIPTION	DESIGN	Date:
—	—	NEW VERSION	Zeng Yu	2014-03-31



RING-SHAPED INTERWEAVE ASSEMBLY PART

INTERWEAVE DRAWING
(1:2)

2	D6	P66 30%G/F UL94V-0	P66 30%G/F UL94V-0	RoHS2&H.F Fit
1	D0	P66 30%G/F UL94V-0	P66 30%G/F UL94V-0	RoHS2 Fit
NO.CODE		HOUSING MATERIAL	BUTTON MATERIAL	REMARK

TABLE A : Plactical Material

CHOOSE																
CODE	0430	0450	0500	0550	0600	0630	0700	0800	0850	0900	0950	1000	1100	1150	1200	1300
DIM A/mm	4.30	4.50	5.0	5.50	6.0	6.3	7.0	8.0	8.5	9.0	9.5	10.0	11.0	11.5	12.0	13.0

TABLE B

P/N: IC13070-XXXX-XXXXXXX

Model P/N: _____

Plactical Material: _____
(Choose From Table A)

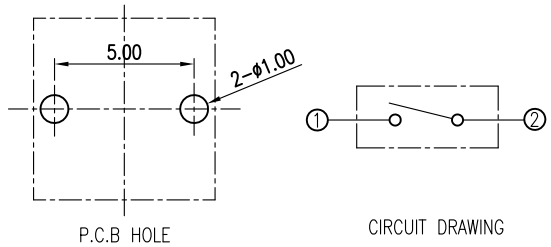
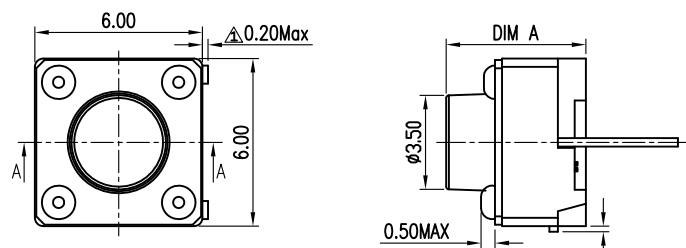
Button Color: _____
 01:Black
 02:Red
 03:White
 04:Yellow
 08:Gray

Packing:
 B:Tray; R:Tape reel;
 T:Tube; P:PE Bag

Chocolate:
 0:100g 6:160g;
 8:180g A:260g.

Typ
 V:Vertical; S:SMT.

Height of the key
(Choose from TABLE B)



- NOTES:
- 1.Rating: Voltage DC12V, Current 50mA Max;
 - 2.Contact Resistance:≤50Milliohm;
 - 3.Insulation Resistance:≥100 Megohm(DC100V);
 - 4.Withstand Voltage:AC250V for 1Minute;
 - 5.Full Travel:0.25±0.1mm;
 - 6.Operating Temperature:-20°C~+85°C;
 - 6.Storage Temperature:-30°C~+85°C.

5	Spring	1	Stainless steel	Plating silver	
4	Button	1	Choose from table A	Choose from P/N color item	
3	Cover	1	Mn	Plating Nickel	
2	Contact	1	Brass	Plating silver	
1	Housing	1	Choose from table A	Black	
NO.	DESCRIPTION	QTY	PARTS MATERIAL	PLATING OR COLOR	REMARK

Tolerance	MODEL NAME:TACT SWITCH	DRAWING: Miao Xue Ting
X.X ±0.30	MODEL No:TC13070-XXXX-XXXXVXX	CHECKED: Zeng Yu
X.XX ±0.20	SCALE:1:1	APPROVED: Xiao Zhong Bo
X.XXX ±0.10		REVISION A0
Angle ±3.0°	SHEET 1/1	DATE: 2014.03.31.
UNIT:mm	菱揚精密有限公司 Ling Yang Precision Co.,Ltd	FILE: XZB/LINGYANG DWG NO.TC13070-A001