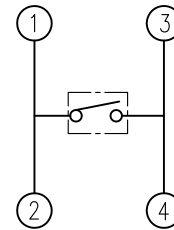
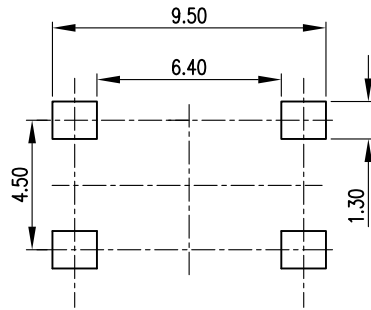
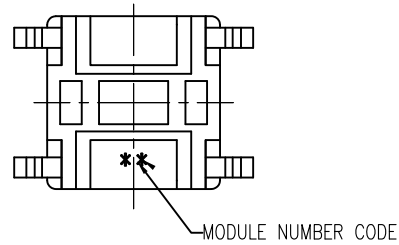
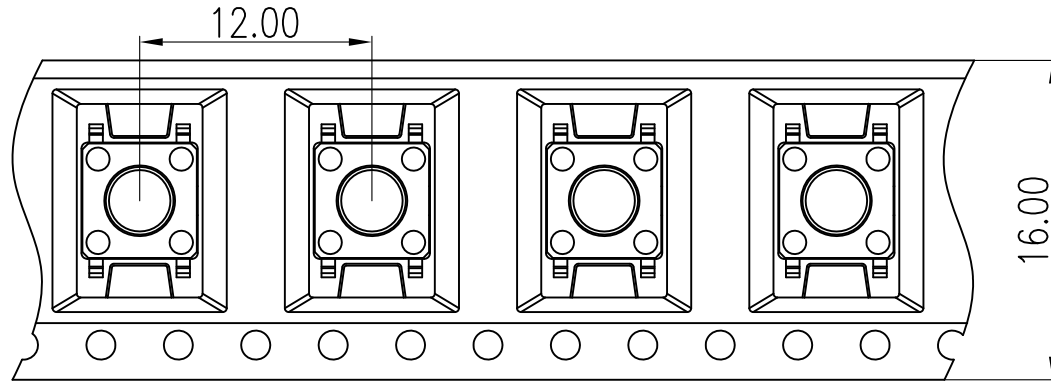
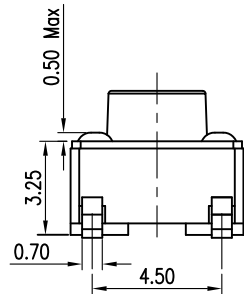
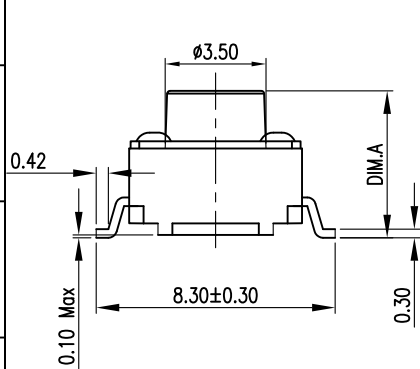
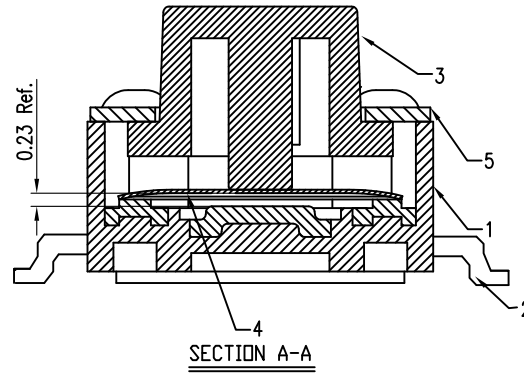
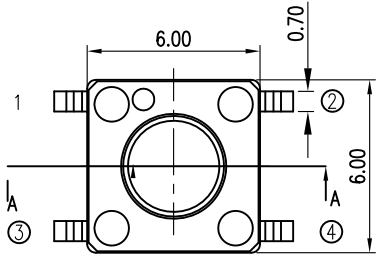


正式图 参考图

Mark	ECN NO.	DESCRIPTION	DESIGN	Date:



TYPE	DIM.A
1	4.3
2	4.5
3	5.0
4	5.5
5	6.0
6	6.5
7	7.0
8	8.0
9	8.5
10	9.0
11	9.5
12	10
13	11
14	11.5
15	12.0
16	13.0

BILL OF MATERIAL :

ITEM	PART NAME	Q'TY/EA	MATERIAL	FINISH
5	COVER	1	BRASS	PLATING NICKEL
4	SPRING	1	STAINLESS STEEL	PLATING SILVER
3	BUTTON	1	PA9T	BLACK
2	CONTACT	1	BRASS	PLATING SILVER
1	HOUSING	1	PA9T	BLACK

TC-1302W-XXXX-180

克力值: 180gf
脚距选择

Tolerance X .X ±0.38 X' ±3.0' .XX ±0.25 .X' ±2.0' .XX ±0.13 .XX' ±1.0' .XXX ±0.05	Model Name: TACT SWITCH SERIES		Drawing: zeng yu	
	Model No: TC-1302W-XXXX-180		Checked: LI TAO	
UNIT:mm	SCALE: 1:1	REVISION: A0	SHEET 1/1	Approved: XIAO ZHONG BO
	Ling Yang Enterprise Co.,Ltd 菱揚精密有限公司			Date: 2013-7-19
				FILE: XZB/LINGYANG
				DWG NO.TC-1302W-A001