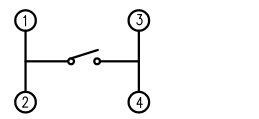
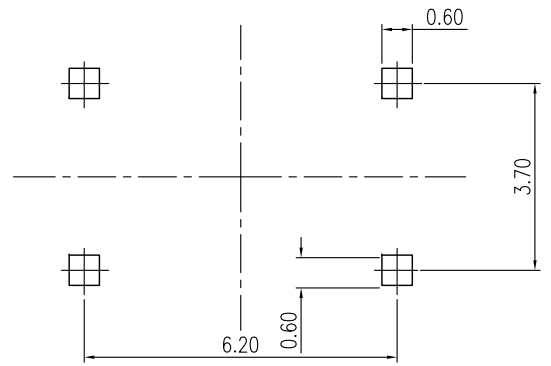
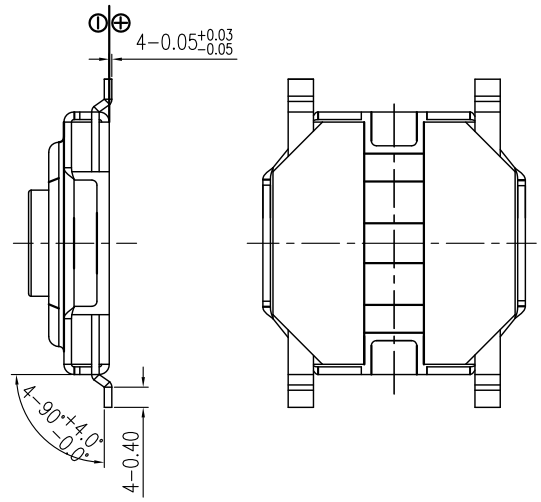
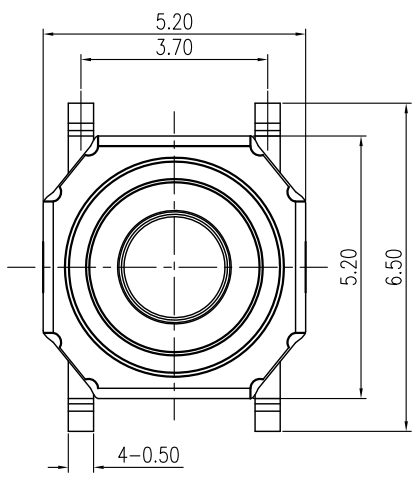
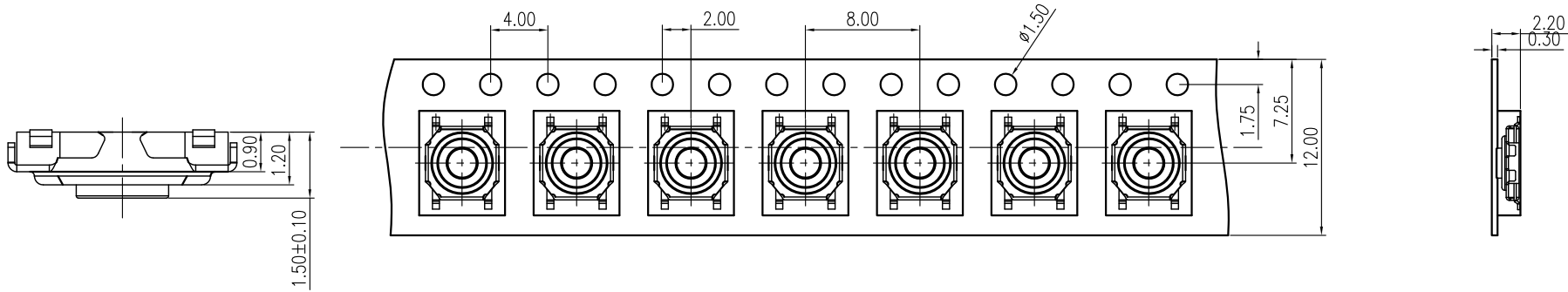


正式图	参考图	CUSTOMER DRAWING	
		The requirements of environmental protection	
		ROHS2	Halogen free

Mark	ECN NO.	DESCRIPTION	DESIGN	Date:

Embossed Carrier Tape&Reel Dimension



CIRCUIT DIAGRAM

PCB LAYOUT

TC1401W-XXXX-160
 Chocolate:160gf
 Height of the key (1.50mm)

NO.	DESCRIPTION	QTY	MATERIAL	PLATING OR COLOR
6	WATERPROOF	1	POLYIMIDE	
5	HOUSING	1	PA9T	BLCAK
4	TERMINAL	1	BRASS	PLATING-Ag
3	SPRING	1	STAINLESS STEEL	PLATING-Ag
2	COVER	1	STAINLESS STEEL	
1	BUTTON	1	BRASS	

TABLE E : Parts of Product

Tolerance	Model Name:SWITCH	Drawing: MIAO XUE TING
X.X ±0.30	Model No:TC1401W-0150-160	Checked: ZENG YU
X.XX ±0.20	SCALE:1:1	Approved: XIAO ZHONG BO
X.XXX ±0.10		REVISION: A0
Angle ±3.0°	SHEET 1/1	Date: 2013.09.16
UNIT:mm	菱揚精密有限公司 Ling Yang enterprise Co.,Ltd	FILE:XZB/LINGYANG
		DWG NO.TC1401W-A002