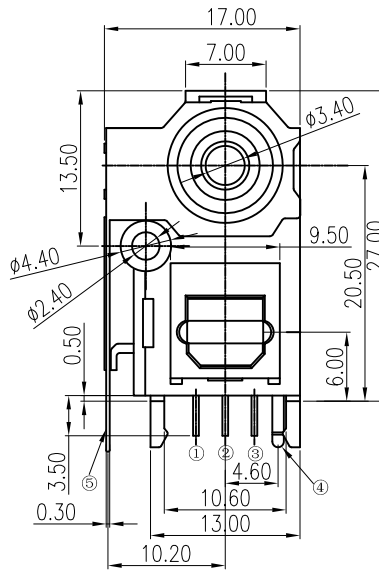
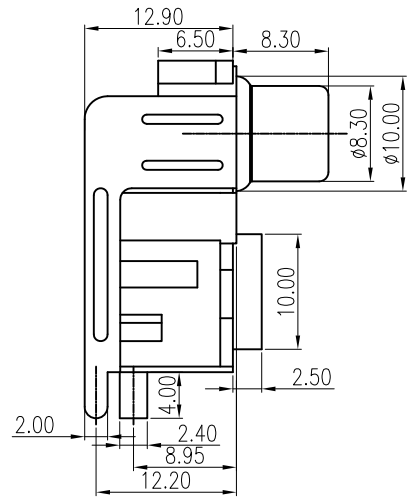


正式图 参考图 CUSTOMER DRAWING
The requirements of environmental protection
ROHS2 Halogen free

Mark	ECN NO.	DESCRIPTION	DESIGN	Date:
—	—	INITIAL RELEASE	Carlyle Xu	2014.09.15



Pin Function

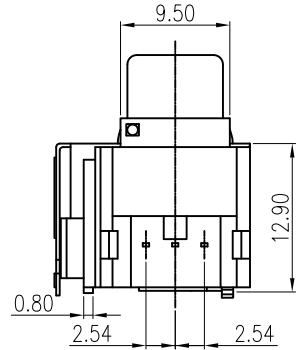
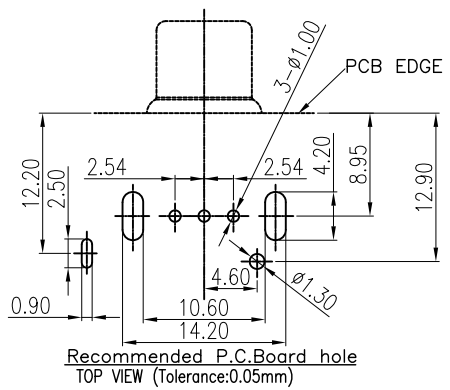
- ① Vin(光纤发射端子)
- ② Vcc(光纤发射端子)
- ③ GND(光纤发射端子)
- ④ Vin(AV端子)
- ⑤ GND(AV端子)

NOTES:

- 1.Signal transmission speed:Max16Mbps
2. Operating voltage:2.7 to5.5v
3. TTLand high C-MOS LOGIC compatible
4. Low power consumption
5. Operating temperature:-20° to 70°
6. Storage temperature:-30° to 80°
- 7.Soldering temperature:260°,time for 5s

3	DO	PA66 30%G/F UL94V-0	RoHS2 Fit
2	B4	PBT 30%G/F UL94V-0	RoHS2&H.F Fit
1	B0	PBT 30%G/F UL94V-0	RoHS2 Fit
NO.CODE		MATERIAL	REMARK

TABLE B : Plactical Material



P/N: TR1007W-XXXX-00AXXXB

MODEL NO

PLASTIC MATERIAL (See Table B)

AUTOMATIC DOOR COLOR

- 01:BLACK
- 08:GRAY
- 10:ORANGE1575C

PRODUCT SALT MIST

- A:Normal;
- B:24Hours;
- C:48Hours;

PACKING:B-TRAY
B: TRAY

SIGNAL SPEC:

- T1:TRANSMIT SPEED 16Mbps
- T2:TRANSMIT SPEED 25Mbps
- R1:RECEIVE SPEED 16Mbps
- R2:RECEIVE SPEED 25Mbps

PLATING

- 0:Bright Tin;
- W:MATTE Tin;
- S:Ag;
- A:CONTACT AREA:GOLD FALSH,SOLDER AREA:MATTE TIN80U"
- B:CONTACT AREA:3U"GOLD,SOLDER AREA:MATTE TIN80U"

8	SHELL	1	BRASS t=0.3mm	Plated Ni	—	Tolerance X.X ±0.30 X.XX ±0.20 X.XXX ±0.10 Angle ±3.0°	MODEL NAME:OPTICAL JACK	DRAWING: Carlyle xu
7	OPTICAL FIBER	1	BRASS	Plated Ag	—		MODEL No:TR1007W-D001-00ASXXB	CHECKED: David zhou
6	WASHER	1	PBT 30%G/F UL94V-0	Black	—	UNIT:mm	REVISION A0	APPROVED: Jacky Lee
5	POSITIONING THE NEEDLE	1	BRASS	Plated TIN	—		SCALE:1:1	DATE: 2014.09.15
4	SPRING COIL	1	STAINLESS STEEL	—	—	SHEET 1/1	FILE: F/LINGYANG	
3	AUTOMATIC DOOR	1	PA66 30%G/F UL94V-0	Black	—			DWG NO. TR1007W-A001
2	COVER	1	PA66 30%G/F UL94V-0	Black	—	菱揚精密有限公司 Ling Yang enterprise Co.,Ltd		
1	Housing	1	PA66 30%G/F UL94V-0	CHOOSE FROM P/N COLOR CODE	—			
NO.	DESCRIPTION	QTY	PARTS MATERIAL	PLATING OR COLOR	REMARK			