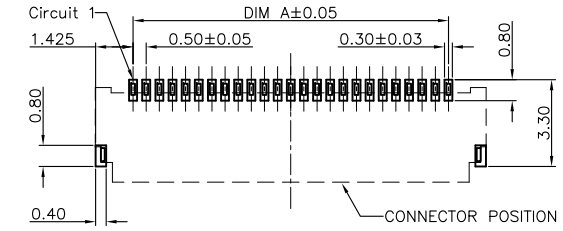
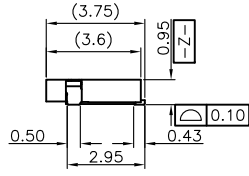
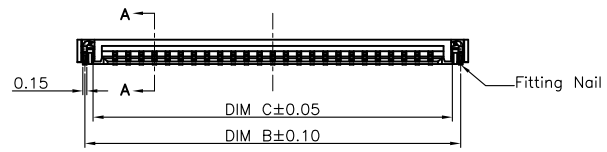
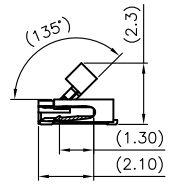
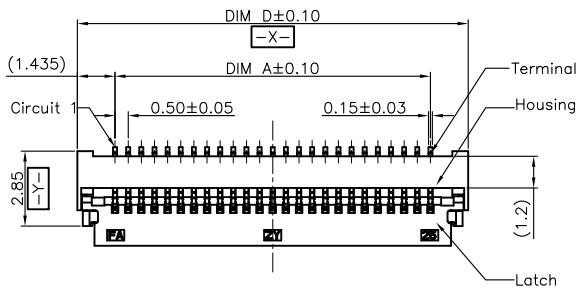
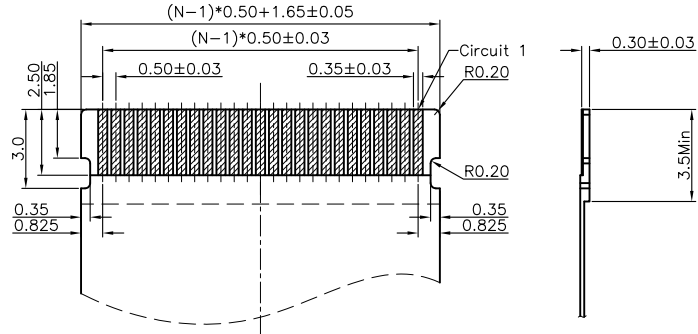


正式图 参考图 CUSTOMER DRAWING
The requirements of environmental protection
ROHS2 Halogen free

Mark	ECN NO.	DESCRIPTION	DESIGN	Date:
—	—	NEW VERSION	Carlyle Xu	2015-02-26



RECOMMENDED P.C.B PATTERN LAYOUT



RECOMMENDED FPC/FFC DIMENSION

- Note:
- Material:
 - Housing: thermoplastic high temp.UL94V-0; Color: see P/N.
 - Latch: thermoplastic high temp.UL94V-0; Color: see P/N.
 - Terminal: copper alloy.
 - Fitting Nail: copper alloy.
 - Finsh:
 - Terminal: Underplating: Au/matt Tin overall.
 - Fitting Nail: Underplating: matt Tin overall.
 - Product must comply HF RoHS specification.

Table A

CKTS	DIM A	DIM B	DIM C	DIM D
4	1.50	3.80	3.17	4.37
5	2.00	4.30	3.67	4.87
6	2.50	4.80	4.17	5.37
7	3.00	5.30	4.67	5.87
8	3.50	5.80	5.17	6.37
9	4.00	6.30	5.67	6.87
10	4.50	6.80	6.17	7.37
11	5.00	7.30	6.67	7.87
12	5.50	7.80	7.17	8.37
13	6.00	8.30	7.67	8.87
14	6.50	8.80	8.17	9.37
15	7.00	9.30	8.67	9.87
16	7.50	9.80	9.17	10.37
17	8.00	10.30	9.67	10.87
18	8.50	10.80	10.17	11.37
19	9.00	11.30	10.67	11.87
20	9.50	11.80	11.17	12.37
21	10.00	12.30	11.67	12.87
22	10.50	12.80	12.17	13.37
23	11.00	13.30	12.67	13.87
24	11.50	13.80	13.17	14.37
25	12.00	14.30	13.67	14.87
26	12.50	14.80	14.17	15.37
27	13.00	15.30	14.67	15.87
28	13.50	15.80	15.17	16.37
29	14.00	16.30	15.67	16.87
30	14.50	16.80	16.17	17.37
31	15.00	17.30	16.67	17.87
32	15.50	17.80	17.17	18.37
33	16.00	18.30	17.67	18.87
34	16.50	18.80	18.17	19.37
35	17.00	19.30	18.67	19.87
36	17.50	19.80	19.17	20.37
37	18.00	20.30	19.67	20.87
38	18.50	20.80	20.17	21.37
39	19.00	21.30	20.67	21.87
40	19.50	21.80	21.17	22.37

AFC480S-XXXX-XXXXXXX

Model P/N

Plastical Material
CO:LCP UL94V-0

Housing Color
0:Natural
1:Black
3:White

Latch Color
0:Natural
1:Black
3:White

Packing
R:Tape reel; T:Tube;

Remark
H:Halogen & RoHS2
R:RoHS2

Contact type
F:Lower
H:Double Lower

Plating Code
00:Bright Tin;
0S:Matte Tin;
A1:GOLD PLATING OVER ALL;
A2:2u" GOLD PLATING OVER ALL;
A3:3u" GOLD PLATING OVER ALL;
B1:CONTACT AREA:GOLD,FALSH,SOLDER AREA:MATTE TIN80U"
B2:CONTACT AREA:2U"GOLD,SOLDER AREA:MATTE TIN80U"
B3:CONTACT AREA:3U"GOLD,SOLDER AREA:MATTE TIN80U"

CKTS See Table A

Tolerance	MODEL NAME: 0.5Pitch H=0.95 FPC Easy-on R/A Type SMT CONN	DRAWING: Carlyle Xu
X.X ±0.30	MODEL No:AFC480S-C010-XXXXFHR	CHECKED: David Zhou
X.XX ±0.20	SCALE 1:1	APPROVED: Jacky Lee
X.XXX ±0.10	REVISION A0	DATE: 2015.02.26
Angle ±3.0°	SHEET 1/1	FILE: XZB/LINGYANG
UNIT:mm	菱揚精密有限公司 Ling Yang Precision Co.,Ltd	DWG NO.AFC480S-A001