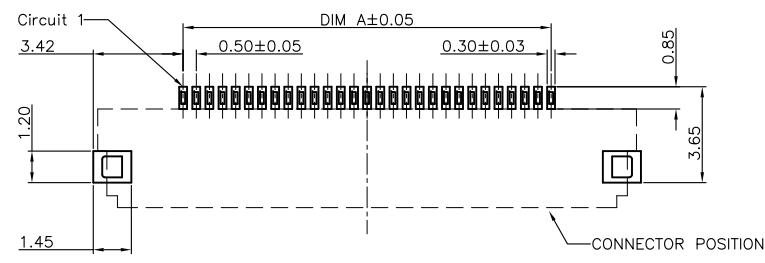
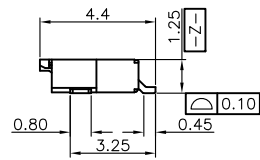
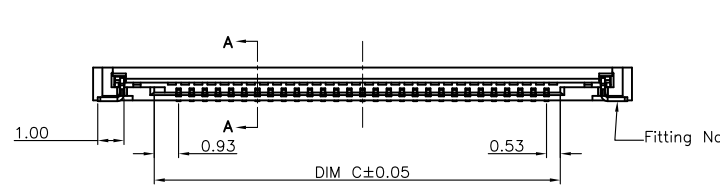


SECTION A-A  
SCALE 1:1



RECOMMENDED P.C.B PATTERN LAYOUT

AFC450S-XXXX-XXXXXXX

Model P/N

Plastical Material  
co: LCP UL94V-0

Housing Color  
 0: Natural  
 1: Black  
 3: White

Latch Color  
 0: Natural  
 1: Black  
 3: White

CKTS  
See Table A

Packing  
 R: Tape reel;  T: Tube

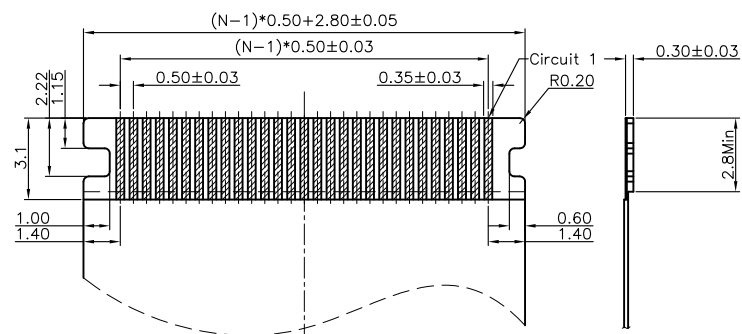
Remark  
 H: Halogen & RoHS2  
 R: RoHS2

Contact type  
 F: Lower  
 H: Double Lower

Plating Code  
 00: Bright Tin;  
 01: Matte Tin;  
 A1: GOLD PLATING OVER ALL;  
 A2: 2u" GOLD PLATING OVER ALL;  
 A3: 3u" GOLD PLATING OVER ALL;  
 B1: CONTACT AREA: GOLD, SOLDER AREA: MATTE TIN80U"  
 B2: CONTACT AREA: 2U" GOLD, SOLDER AREA: MATTE TIN80U"  
 B3: CONTACT AREA: 3U" GOLD, SOLDER AREA: MATTE TIN80U"

Table A

CKTS	DIM A	DIM B	DIM C	DIM D
4	1.50	7.65	2.95	8.00
5	2.00	8.15	3.45	8.50
6	2.50	8.65	3.95	9.00
7	3.00	9.15	4.45	9.50
8	3.50	9.65	4.95	10.00
9	4.00	10.15	5.45	10.50
10	4.50	10.65	5.95	11.00
11	5.00	11.15	6.45	11.50
12	5.50	11.65	6.95	12.00
13	6.00	12.15	7.45	12.50
14	6.50	12.65	7.95	13.00
15	7.00	13.15	8.45	13.50
16	7.50	13.65	8.95	14.00
17	8.00	14.15	9.45	14.50
18	8.50	14.65	9.95	15.00
19	9.00	15.15	10.45	15.50
20	9.50	15.65	10.95	16.00
21	10.00	16.15	11.45	16.50
22	10.50	16.65	11.95	17.00
23	11.00	17.15	12.45	17.50
24	11.50	17.65	12.95	18.00
25	12.00	18.15	13.45	18.50
26	12.50	18.65	13.95	19.00
27	13.00	19.15	14.45	19.50
28	13.50	19.65	14.95	20.00
29	14.00	20.15	15.45	20.50
30	14.50	20.65	15.95	21.00
31	15.00	21.15	16.45	21.50
32	15.50	21.65	16.95	22.00
33	16.00	22.15	17.45	22.50
34	16.50	22.65	17.95	23.00
35	17.00	23.15	18.45	23.50
36	17.50	23.65	18.95	24.00
37	18.00	24.15	19.45	24.50
38	18.50	24.65	19.95	25.00
39	19.00	25.15	20.45	25.50
40	19.50	25.65	20.95	26.00
41	20.00	26.15	21.45	26.50
42	20.50	26.65	21.95	27.00
43	21.00	27.15	22.45	27.50
44	21.50	27.65	22.95	28.00
45	22.00	28.15	23.45	28.50
46	22.50	28.65	23.95	29.00
47	23.00	29.15	24.45	29.50
48	23.50	29.65	24.95	30.00
49	24.00	30.15	25.45	30.50
50	24.50	30.65	25.95	31.00
51	25.00	31.15	26.45	31.50
52	25.50	31.65	26.95	32.00
53	26.00	32.15	27.45	32.50
54	26.50	32.65	27.95	33.00
55	27.00	33.15	28.45	33.50
56	27.50	33.65	28.95	34.00
57	28.00	34.15	29.45	34.50
58	28.50	34.65	29.95	35.00
59	29.00	35.15	30.45	35.50
60	29.50	35.65	30.95	36.00



RECOMMENDED FPC/FFC DIMENSION

Tolerance X.X ±0.30 X.XX ±0.20 X.XXX ±0.10 Angle ±3.0°	MODEL NAME: 0.5Pitch H=1.25 FPC Easy-on R/A Type SMT CONN	DRAWING: Carlyle Xu
	MODEL No: AFC450S-C001-XXXXFHR	CHECKED: David Zhou
	SCALE 1:1	REVISION A0
	SHEET 1/1	DATE: 2015.02.26
UNIT: mm	菱揚精密有限公司 Ling Yang Precision Co., Ltd	FILE: XZB/LINGYANG DWG NO. AFC450S-A001