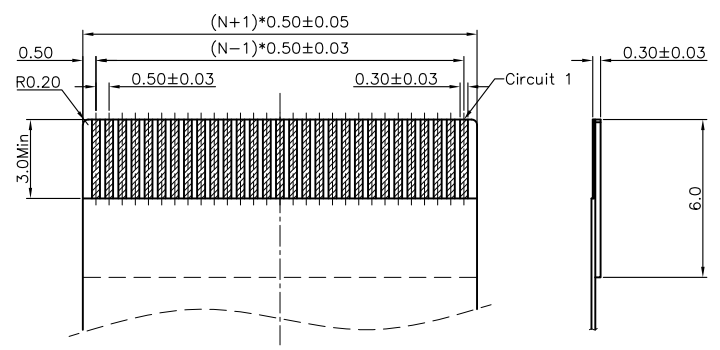
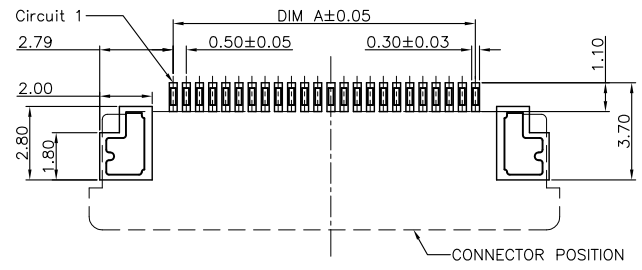
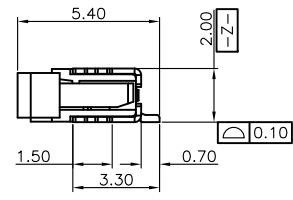
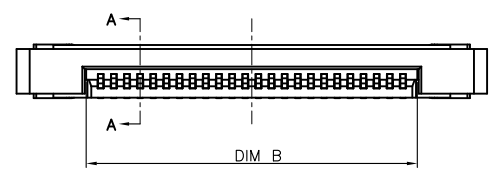
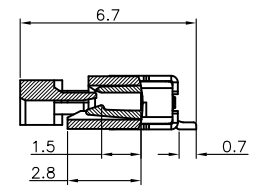
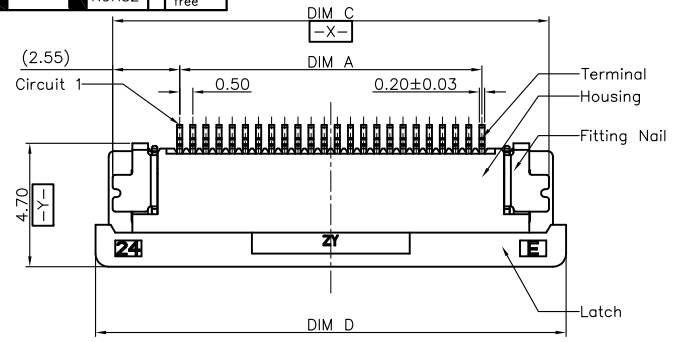


正式图 参考图 CUSTOMER DRAWING
The requirements of environmental protection
ROHS2 Halogen free

Mark	ECN NO.	DESCRIPTION	DESIGN	Date:
—	—	NEW VERSION	Carlyle Xu	2015-02-26



- Note:
- Material:
 - Housing: thermoplastic high temp.UL94V-0; Color: see P/N.
 - Latch: thermoplastic high temp.UL94V-0; Color: see P/N.
 - Terminal: copper alloy.
 - Fitting Nail: copper alloy.
 - Finsh:
 - Terminal: Underplating: Au/matt Tin overall.
 - Fitting Nail: Underplating: matt Tin overall.
 - Product must comply HF RoHS specification.

Table A

CKTS	DIM A	DIM B	DIM C	DIM D
4	1.50	2.60	6.60	7.90
5	2.00	3.10	7.10	8.40
6	2.50	3.60	7.60	8.90
7	3.00	4.10	8.10	9.40
8	3.50	4.60	8.60	9.90
9	4.00	5.10	9.10	10.40
10	4.50	5.60	9.60	10.90
11	5.00	6.10	10.10	11.40
12	5.50	6.60	10.60	11.90
13	6.00	7.10	11.10	12.40
14	6.50	7.60	11.60	12.90
15	7.00	8.10	12.10	13.40
16	7.50	8.60	12.60	13.90
17	8.00	9.10	13.10	14.40
18	8.50	9.60	13.60	14.90
19	9.00	10.10	14.10	15.40
20	9.50	10.60	14.60	15.90
21	10.00	11.10	15.10	16.40
22	10.50	11.60	15.60	16.90
23	11.00	12.10	16.10	17.40
24	11.50	12.60	16.60	17.90
25	12.00	13.10	17.10	18.40
26	12.50	13.60	17.60	18.90
27	13.00	14.10	18.10	19.40
28	13.50	14.60	18.60	19.90
29	14.00	15.10	19.10	20.40
30	14.50	15.60	19.60	20.90
31	15.00	16.10	20.10	21.40
32	15.50	16.60	20.60	21.90
33	16.00	17.10	21.10	22.40
34	16.50	17.60	21.60	22.90
35	17.00	18.10	22.10	23.40
36	17.50	18.60	22.60	23.90
37	18.00	19.10	23.10	24.40
38	18.50	19.60	23.60	24.90
39	19.00	20.10	24.10	25.40
40	19.50	20.60	24.60	25.90
41	20.00	21.10	25.10	26.40
42	20.50	21.60	25.60	26.90
43	21.00	22.10	26.10	27.40
44	21.50	22.60	26.60	27.90
45	22.00	23.10	27.10	28.40
46	22.50	23.60	27.60	28.90
47	23.00	24.10	28.10	29.40
48	23.50	24.60	28.60	29.90
49	24.00	25.10	29.10	30.40
50	24.50	25.60	29.60	30.90
51	25.00	26.10	30.10	31.40
52	25.50	26.60	30.60	31.90
53	26.00	27.10	31.10	32.40
54	26.50	27.60	31.60	32.90
55	27.00	28.10	32.10	33.40
56	27.50	28.60	32.60	33.90
57	28.00	29.10	33.10	34.40
58	28.50	29.60	33.60	34.90
59	29.00	30.10	34.10	35.40
60	29.50	30.60	34.60	35.90

AFC220H-XXXX-XXXXXXX

Model P/N

Plastical Material
CO:LCP UL94V-0

Housing Color
0:Natural
1:Black
3:White

Latch Color
0:Natural
1:Black
3:White

CKTS
See Table A

Packing
R:Tape reel; T:Tube;

Remark
H:Halogen &RoHS2
R:RoHS2

Contact type
E:Upper
F:Lower

Plating Code
A1:Gold flash 1u"
A2:Gold flash 2u"
A3:Gold flash 3u"
A4:Bright-Tin 90-120u"
A4:Matt-Tin 90-120u"

Tolerance X.X ±0.30 X.XX ±0.20 X.XXX ±0.10 Angle ±3.0°	MODEL NAME: 0.5Pitch H=2.0 FPC ZIF R/A Lower Type6 SMT CONN	DRAWING: Carlyle Xu
	MODEL No:AFC220H-C001-XXXXFHX	CHECKED: David Zhou
	SCALE 1:1	REVISION A0
		SHEET 1/1
UNIT:mm	菱揚精密有限公司 Ling Yang Precision Co.,Ltd	APPROVED: Jacky Lee
		DATE: 2015.02.26
		FILE: F/LINGYANG
		DWG NO.AFC220H-A001