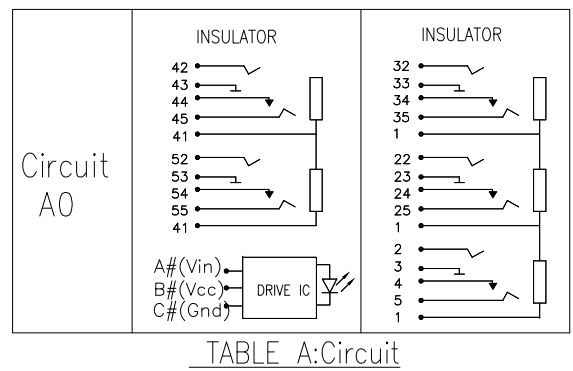
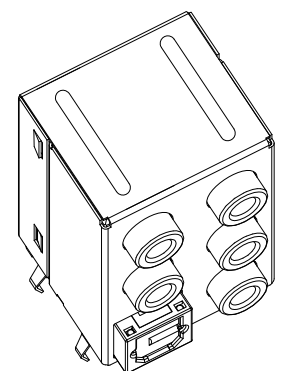
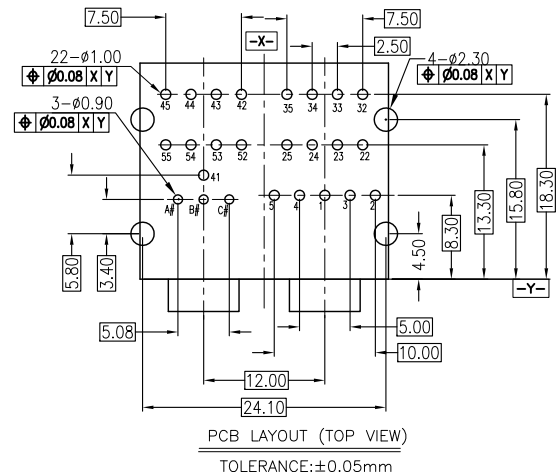
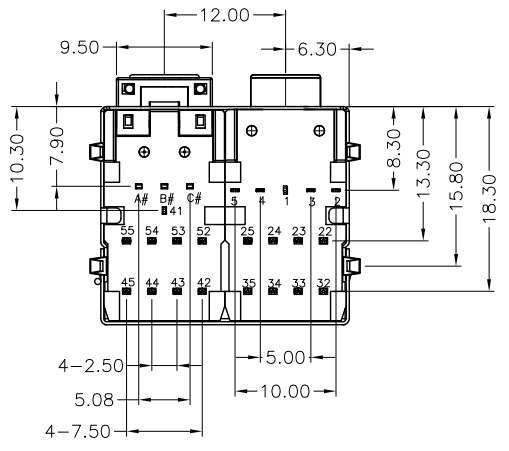
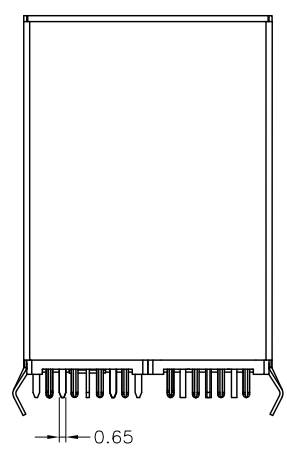
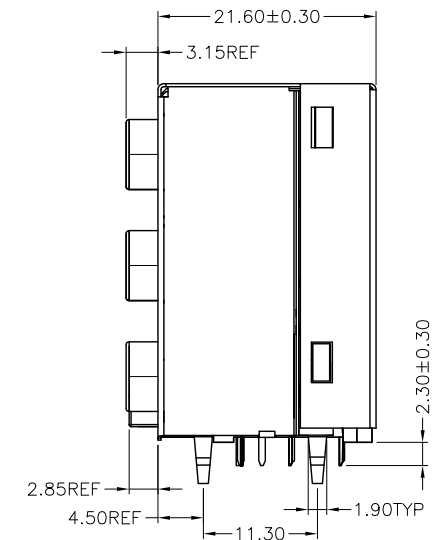
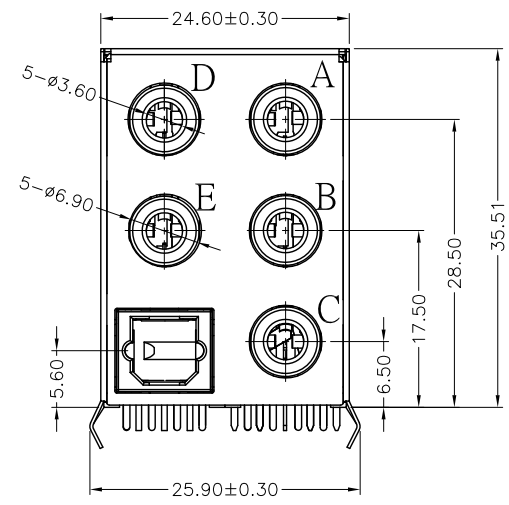


正式图 参考图 CUSTOMER DRAWING
The requirements of environmental protection
ROHS2 Halogen free

Mark	ECN NO.	DESCRIPTION	DESIGN	Date:
—	—	INITIAL RELEASE	Carlyle Xu	14.10.15



2	B4	PBT 30%G/F UL94V-0	BLACK	RoHS2&H.F Fit
1	B0	PBT 30%G/F UL94V-0	BLACK	RoHS2 Fit
NO.CODE		MATERIAL	COLOR	REMARK

TABLE B : Plastical Material

06	RED	BLK	RED	WHT	BLK	BLK	
07	284C	577C	701C	157C	BLK	BLK	
09	WHT	RED	GRN	WHT	RED	BLK	
10	RED	WHT	YEL	R711U	WHT	BLK	
11	YEL	WHT	YEL	RED	WHT	BLK	
12	WHT	YEL	RED	YEL	YEL	BLK	
13	WHT	R711U	BLK	RED	R711U	BLK	
14	Y128C	BLK	WHT	YEL	RED	BLK	
	A	B	C	D	E	Housing	
	WHT:WHITE(白)	BLU:BLUE(蓝)	BRN:BROWN(棕)	157C:ORANG(橙)			
	YEL:YELLOW(黄)	ORN:ORANGE(橘)	R711U:RED(红)	701C:PINK(粉)			
	GRN:GREEN(绿)	GRY:GRAY(灰)	284C:BLUD(蓝)				
	BLK:BLACK(黑)	RED:RED(红)	577C:GREEN(绿)				

TABLE C : Color Code of Washer

1	A2	Cu:40u"+Ni:80u"	Cu:50u"+Tin:100u"	24Hours Salt
NO.	PLATING CODE	SHELL	TERMINAL	REMARK

TABLE D : Plating Code

27	HAT&DOOR	1	PA66+15%G.F, UL94V-0	back and gray	
26	Plastic Bushing	1	PA66+15%G.F, UL94V-0	see note	
25	Plastic Bushing	1	PA66+15%G.F, UL94V-0	see note	
24	Plastic Bushing	1	PA66+15%G.F, UL94V-0	see note	
23	Plastic Bushing	1	PA66+15%G.F, UL94V-0	see note	
22	Plastic Bushing	1	PA66+15%G.F, UL94V-0	see note	
21	SPACER	1	PBT+30%G.F, UL94V-0	Black	
20	Audio Jack Housing	2	PBT+30%G.F, UL94V-0	Black	
19	Audio Jack+Spdif Housing	2	PBT+30%G.F, UL94V-0	Black	
18	Cover	1	PA66+30%G.F, UL94V-0	Black	
17	spdif Housing	1	PBT+30%G.F, UL94V-0	Black	
16	spdif Cover	1	PA66+30%G.F, UL94V-0	Tin100u" Plated & 50u"Nickel Plated	
15	spdif Terminal	1	Copper Alloy	Sn 120u", platend Ni 50u"Min	
14	Shield	1	SPCC-SD	Sn 80u", platend Ni 50u"Min	
13	3-Tip Terminal	2	Copper Alloy	Tin100u" Plated & 50u"Nickel Plated	
12	3-TS Terminal	2	Copper Alloy	100u"Tin Plated & 50u"Nickel	
11	3-RS Terminal	2	Copper Alloy	100u"Tin Plated & 50u"Nickel	
10	3-Ring Terminal	2	Copper Alloy	Tin100u" Plated & 50u"Nickel Plated	
9	2-Tip Terminal	2	Copper Alloy	Tin100u" Plated & 50u"Nickel Plated	
8	2-TS Terminal	2	Copper Alloy	Tin100u" Plated & 50u"Nickel Plated	
7	2-RS Terminal	2	Copper Alloy	Tin100u" Plated & 50u"Nickel Plated	
6	2-Ring Terminal	1	Copper Alloy	Tin100u" Plated & 50u"Nickel Plated	
5	Tip Terminal	1	Copper Alloy	Tin100u" Plated & 50u"Nickel Plated	
4	TS Terminal	1	Copper Alloy	Tin100u" Plated & 50u"Nickel Plated	
3	RS Terminal	1	Copper Alloy	Tin100u" Plated & 50u"Nickel Plated	
2	Ring Terminal	2	Copper Alloy	100u"Tin Plated & 50u"Nickel Plated	
1	Sleeve Terminal	2	Copper Alloy	100u"Tin Plated & 50u"Nickel Plated	
NO.	DESCRIPTION	QTY	PARTS MATERIAL	PLATING OR COLOR	REMARK

P/N: GZ6022W-XXXX-XXXXXXX

Model P/N: _____ Packing B:Tray;

Plastical Material: _____ Remark 0:Normal; (Choose From Table B) 1:RoHS2 Fit 2:RoHS2&H.F Fit

Washer or Housing Color: _____ Shell Material H:Spcc-sd; (Choose From Table C)

Circuit Code (See Table A) _____ Plating Code (Choose From Table D)

TOLERANCE X.X ±0.30 X.XX ±0.20 X.XXX ±0.10 Angle ±2.0	MODEL NAME: OPTICA JACK+3.5PHONE JACK MODEL No:GZ6022W-B007-A0XXH0B	DRAWING: Carlyle Xu CHECKED: David zhou
UNIT:mm	SCALE:1:1 REVISION 01 SHEET 1/1	APPROVED: Jacky Lee DATE: 2014.10.15
	菱揚精密有限公司 Ling Yang Precision Co.,Ltd	FILE: F/LINGYANG DWG NO: GZ6022W-A001