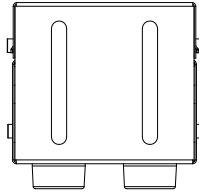


正式图 参考图 CUSTOMER DRAWING
The requirements of environmental protection
ROHS2 Halogen free

Mark	ECN NO.	DESCRIPTION	DESIGN	Date:
—	—	INITIAL RELEASE	Carlyle Xu	2014.07.11
—	—	UPDATE THE DRAWING	Carlyle Xu	2014.11.26



01	157C	284C	BLK	577C	422C	701C
CHOOSE	A	B	C	D	E	F
WHT:WHITE(1)	BLU:BLUE(2)	701C:PNK(3)				
YEL:YELLOW(4)	157C:ORANGE(4)	577C:LIME(4)				
GRE:GREEN(5)	GRY:GRAY(6)	284C:LIGHT BLUE(8)				
BLK:BLACK(7)	RED:RED(1)	422C:GRAY(8)				

TABLE C : Color Code of Washer

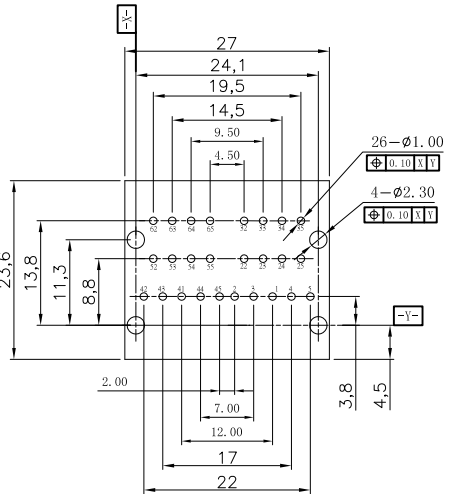
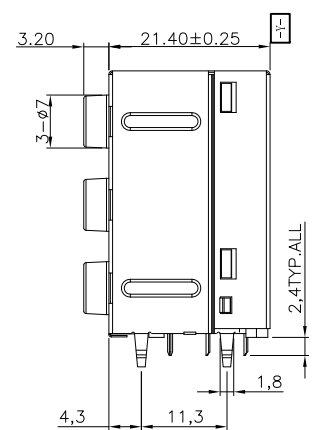
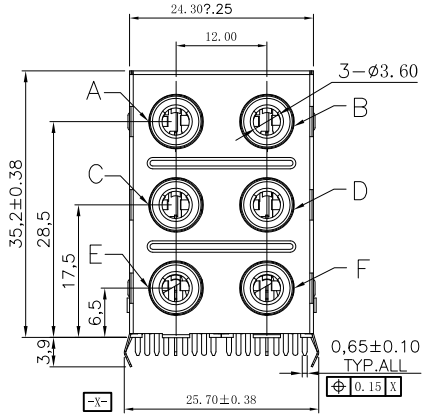
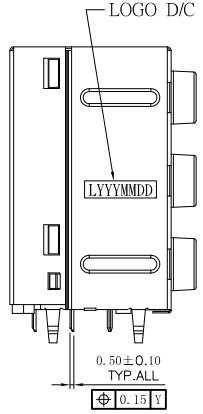
5	DO	PA66 30%G/F UL94V-0	RoHS2 Fit
1	B0	PBT 30%G/F UL94V-0	RoHS2 Fit
NO.	CODE	MATERIAL	REMARK

TABLE B : Plastical Material

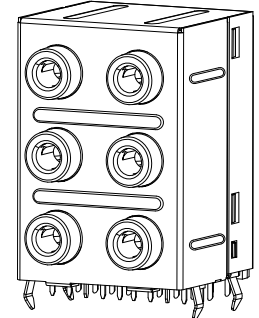
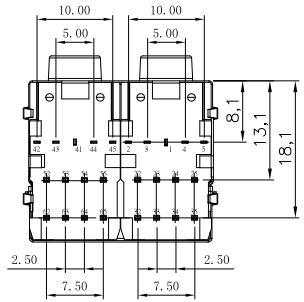
P/N:

C33011W-XXXX-XXXXXXXX

Model P/N: [] Packing [] Tray; [] Tape reel; [] PE Bag.
Plastical Material (Choose From Table B) [] Remark 00:Normal;
Housing Color (Choose From Table C) []
Schematic Code (See Table A) []
Product salt mist []
Plating []
0:Bright Tin;
1:W:MATTE Tin;
2:Ag;
3:CONTACT AREA:GOLD FLASH,SOLDER AREA:MATTE TIN80"
4:CONTACT AREA:3U"GOLD,SOLDER AREA:MATTE TIN80"
5:CONTACT AREA:5U"GOLD,SOLDER AREA:MATTE TIN80"
6:CONTACT AREA:10U"GOLD,SOLDER AREA:MATTE TIN80"
7:CONTACT AREA:15U"GOLD,SOLDER AREA:MATTE TIN80"
8:CONTACT AREA:20U"GOLD,SOLDER AREA:MATTE TIN80"
9:CONTACT AREA:30U"GOLD,SOLDER AREA:MATTE TIN80"



RECOMMENDED PCB LAYOUT
COMPONENT SIDE
TOLERANCE:±0.10



23	A-Plastic Bushing	PA66+15%G.F, UL94V-0	SEE TABLE 1	1
22	B-Plastic Bushing	PA66+15%G.F, UL94V-0	SEE TABLE 1	1
21	C-Plastic Bushing	PA66+15%G.F, UL94V-0	SEE TABLE 1	1
20	D-Plastic Bushing	PA66+15%G.F, UL94V-0	SEE TABLE 1	1
19	E-Plastic Bushing	PA66+15%G.F, UL94V-0	SEE TABLE 1	1
18	F-Plastic Bushing	PA66+15%G.F, UL94V-0	SEE TABLE 1	1
17	SPRING	PBT+30%G.F, UL94V-0	Black	2
16	Housing	PBT+30%G.F, UL94V-0	Black	2
15	Cover	PBT+30%G.F, UL94V-0	Black	2
14	Shield	SUS304	Matte Tin Plated on Kink Over Nickel	1
13	3-Tip Terminal	Copper Alloy	Au1u" & Tin Plated & Nickel Plated	2
12	3-TS Terminal	Copper Alloy	Au1u" & Tin Plated & Nickel Plated	2
11	3-RS Terminal	Copper Alloy	Au1u" & Tin Plated & Nickel Plated	2
10	3-Ring Terminal	Copper Alloy	Au1u" & Tin Plated & Nickel Plated	2
9	2-Tip Terminal	Copper Alloy	Au1u" & Tin Plated & Nickel Plated	2
8	2-TS Terminal	Copper Alloy	Au1u" & Tin Plated & Nickel Plated	2
7	2-RS Terminal	Copper Alloy	Au1u" & Tin Plated & Nickel Plated	2
6	2-Ring Terminal	Copper Alloy	Au1u" & Tin Plated & Nickel Plated	2
5	Tip Terminal	Copper Alloy	Au1u" & Tin Plated & Nickel Plated	2
4	TS Terminal	Copper Alloy	Au1u" & Tin Plated & Nickel Plated	2
3	RS Terminal	Copper Alloy	Au1u" & Tin Plated & Nickel Plated	2
2	Ring Terminal	Copper Alloy	Au1u" & Tin Plated & Nickel Plated	2
1	Sleeve Terminal	Copper Alloy	Au1u" & Tin Plated & Nickel Plated	2
ITEM	NAME	MATERIAL	FINISH	SUM

Tolerance
X.X ±0.30
X.XX ±0.20
X.XXX ±0.10
Angle ±3.0°

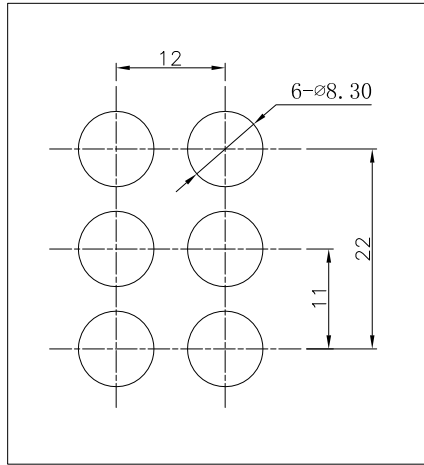
MODEL NAME:OD JACK 3P*2
MODEL No:C33011W-BOX-30XX00B

SCALE:1:1
REVISION A0
SHEET 1/2

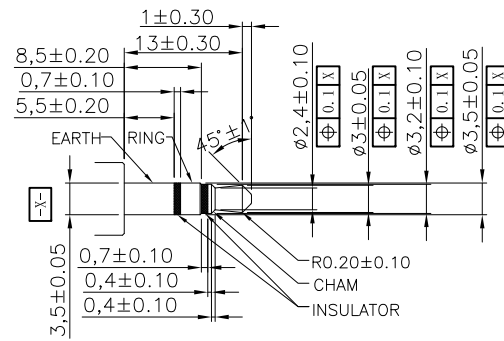
DRAWING: Carlyle Xu
CHECKED: David zhou
APPROVED: Jacky Lee
DATE: 2014.07.11
FILE: F/LINGYANG
DWG NO.C33011W-A002

UNIT:mm
菱揚精密有限公司
Ling Yang Precision Co.,Ltd

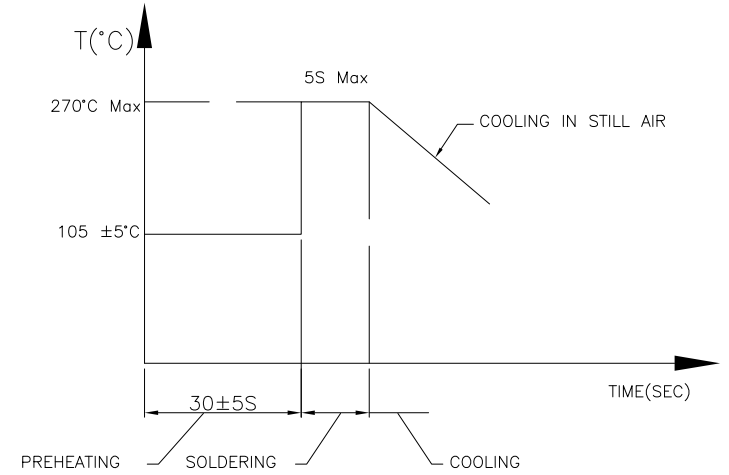
Mark	ECN NO.	DESCRIPTION	DESIGN	Date:
—	—	NEW VERSION	Carlyle Xu	2014.07.11
—	—	UPDATE THE DRAWING	Carlyle Xu	2014.11.26



RECOMMENDED PANEL CUT-OUT



THE RECOMMENDED MATING PLUG
COMPLY WITH JISC6560



RECOMMENDED WAVE SOLDERING THERMAL PROFILE

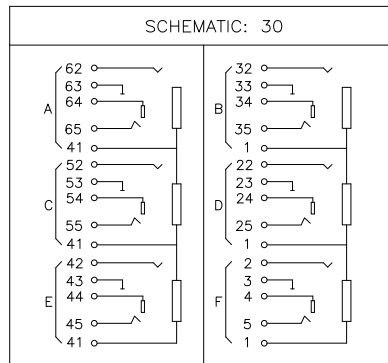


TABLE A: Schematic And Code

Tolerance	MODEL NAME:OD JACK 3P*2	DRAWING: Carlyle Xu	
X.X ±0.30	MODEL No:C33011W-B0XX-30XX00B	CHECKED: David zhou	
X.XX ±0.20	SCALE:1:1	REVISION	SHEET
X.XXX ±0.10		A0	2/2
Angle ±3.0°	菱揚精密有限公司 Ling Yang Precision Co.,Ltd	APPROVED: Jacky Lee	
UNIT:mm		DATE: 2014.07.11	FILE: F/LINGYANG
		DWG NO. C33011W-A002	