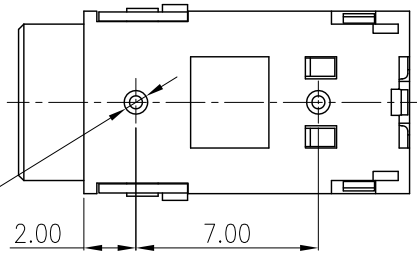
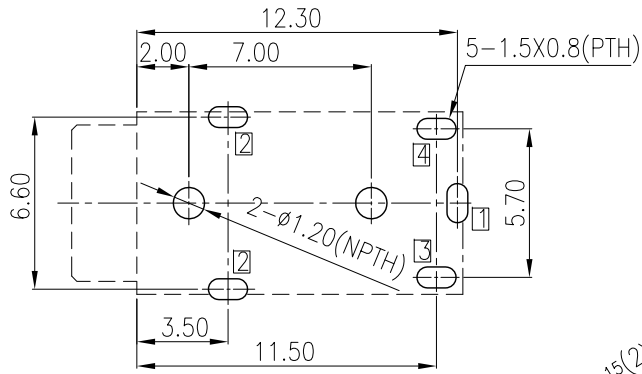
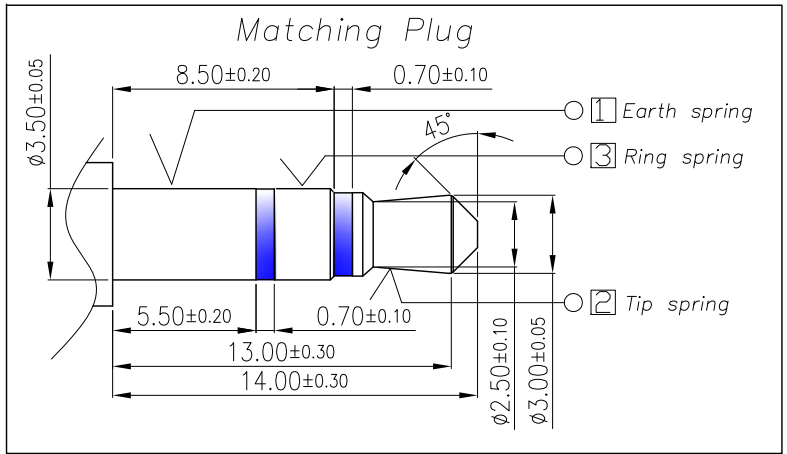
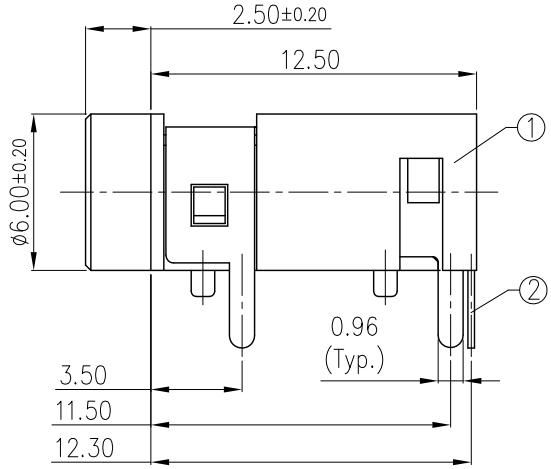
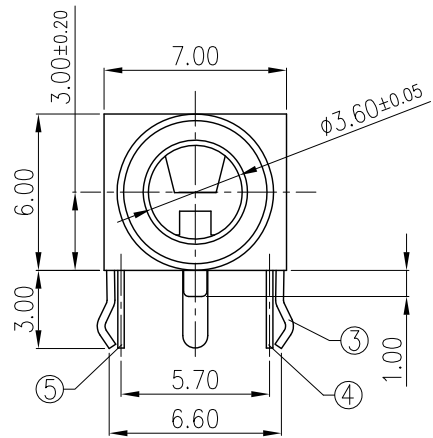


Mark	ECN NO.	DESCRIPTION	DESIGN	Date:
—	—	NEW VERSION	Zeng Yu	2013-12-25
△	ECN141203001	ADD MATERIAL	Carlyle Xu	2014-12-03



RECOMMENDED P.C.B. LAYOUT
 UNSPECIFIED TOLERANCE: ±0.05
 (TOP VIEW)

- NOTES:
- Rating: DC30V 0.5A;
 - Contact Resistance: ≤30Milliohm, After Test: ≤50Milliohm;
 - Insulation Resistance: ≥100Megohm(DC500V);
 - Withstand Voltage: AC500V for 1Minute;
 - Insertion and Extraction force: 3~30N;
 - Life test: 5000 Cycles.
 - Operating Temperature: -20°C~+70°C 85%RH Max;
 - Storage Temperature: -40°C~+85°C 85%RH Max.

Code:	05	03
Schematic		
Choose		

TABLE A: Schematic And Code

△	3	L0	PA9T 30%G/F UL94V-0	RoHS2 Fit
	2	B4	PBT UL94V-0	RoHS2&H.F Fit
	1	B0	PBT UL94V-0	RoHS2 Fit
	NO.	CODE	MATERIAL	REMARK

TABLE B: Plastical Material

C30220W-XXXX-XXXXXXX

Model P/N _____

Plastical Material (Choose From Table B) _____

Housing Color _____

- 01: Black
- 02: Red
- 04: YELLOW
- 05: Green(360C)
- 06: White

Packing _____

- P: PE bag;
- B: Tray;
- Remark _____
- 00: Normal

Plating _____

- 0: Bright Tin;
- W: MATTE Tin;
- 1: Ni:80u"+Au:Gold flash;

Product salt mist _____

A: Normal;

Schematic Code _____

Choose from table A

NO.	DESCRIPTION	QTY	PARTS MATERIAL	PLATING OR COLOR	REMARK
⑤	Ring spring	4	1	Phosphor bronze 0.25t	
④	Ring spring	3	1	Phosphor bronze 0.25t	CHOOSE FROM P/N PLATING CODE
③	Tip spring	2	1	Brass 0.35t	CHOOSE FROM P/N PLATING CODE
②	Earth spring	1	1	Phosphor bronze 0.25t	CHOOSE FROM P/N PLATING CODE
①	Housing	1	1	CHOOSE FROM TABLE B	CHOOSE FROM P/N HOUSING COLOR

Tolerance	MODEL NAME: 3.5PHONE JACK	DRAWING: Miao Xue Ting
X.X ±0.30	MODEL No: C30220W-XXXX-XXAX00B	CHECKED: Zeng Yu
X.XX ±0.20	SCALE: 1:1	APPROVED: Xiao ZhongBo
X.XXX ±0.10	REVISION A1	DATE: 2013-12-25
Angle ±3.0°	SHEET 1/1	FILE: XZB/LINGYANG
UNIT: mm	菱揚精密有限公司 Ling Yang Precision Co., Ltd	DWG NO. C30220W-A001