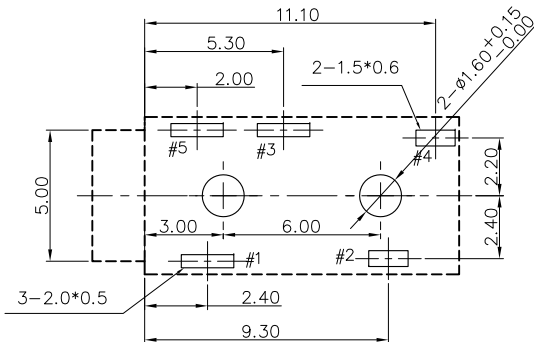
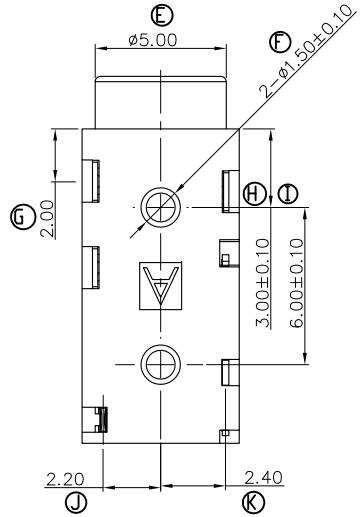


Matching Plug



RECOMMENDED P.C.B LAYOUT
TOP VIEW (TOLRANCE: ±0.05)

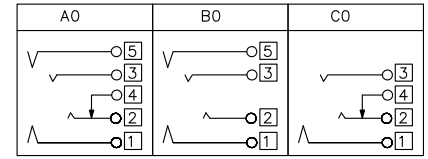
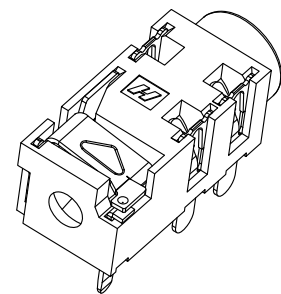
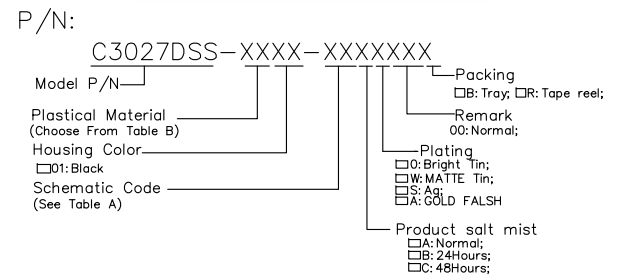


TABLE A: Schematic And Code

2	L3	PA10T 30%G/F UL94V-0	RoHS2&H.F Fit
1	L0	PA9T 30%G/F UL94V-0	RoHS2 Fit
NO.	CODE	MATERIAL	REMARK

TABLE B : Plastical Material



- NOTES:
- Rating: DC30V 0.5A;
 - Contact Resistance: ≤30Milliohm, After Test: ≤50Milliohm;
 - Insulation Resistance: ≥100Megohm(DC500V);
 - Withstand Voltage: AC500V for 1Minute;
 - Insertion and Extraction force: 3~30N;
 - Life test: 5000 Cycles.
 - Operating Temperature: -20°C~+70°C 85%RH Max;
 - Storage Temperature: -40°C~+85°C 85%RH Max.

④	Shunt terminal	4	1	Brass 0.25t	Silver plating	X
③	Ring Spring	3	1	Stainless steel 0.2t	Silver plating	X
②	Tip Spring	2	1	Beryllium bronze, 0.25t	Silver plating	X
①	Earth Spring	1	1	Stainless steel 0.2t	Silver plating	X
①	Housing	1	1	CHOOSE FROM TABLE B	CHOOSE FROM P/N HOUSING COLOR	X
NO.	DESCRIPTION	QTY		PARTS MATERIAL	PLATING OR COLOR	REMARK

Tolerance	MODEL NAME: 3.5PHONE JACK	DRAWING: Carlyle Xu
X.X ±0.30	MODEL No: C3027DSW-L301-XXXXXXX	CHECKED: David Zhou
X.XX ±0.20	REVISION A0	APPROVED: Jacky Lee
X.XXX ±0.10	SCALE: 1:1	DATE: 2015-04-28
Angle ±3.0°	1/1	FILE: F/LINGYANG
UNIT: mm	菱揚精密有限公司 Ling Yang Precision Co.,Ltd	DWG NO. C3027DSW-A001