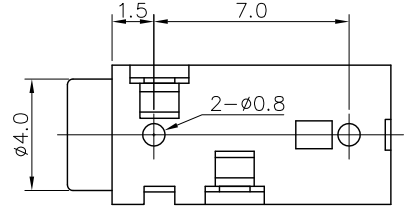
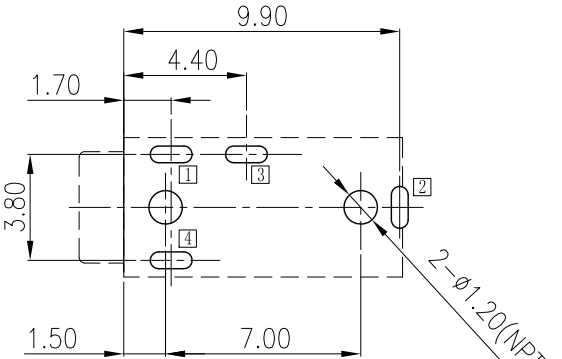
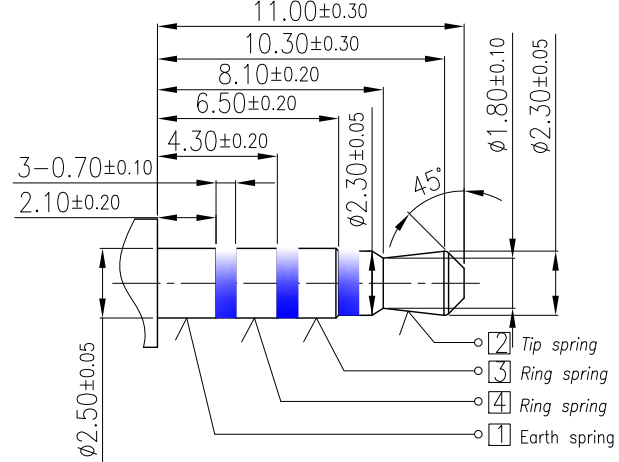
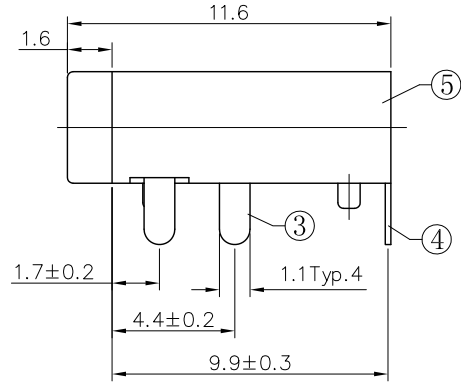
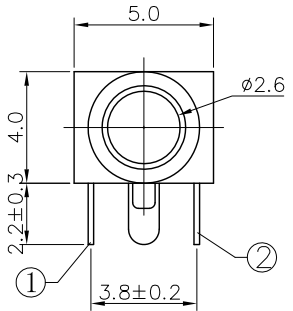


Matching Plug



Code	05	03	3B
Schematic			
Choose			

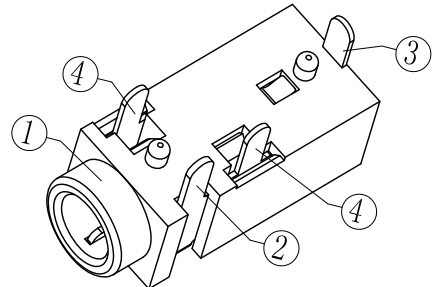
TABLE A: Schematic And Code

NO.	CODE	MATERIAL	REMARK
1	L0	PA9T 30%G/F UL94V-0	RoHS2 Fit

TABLE B : Plastical Material

RECOMMENDED P.C.B. LAYOUT
 UNSPECIFIED TOLERANCE:±0.05
 (TOP VIEW)

- NOTES:
- 1.Rating:DC30V 0.5A;
 - 2.Contact Resistance:≤30Milliohm,After Test:≤50Milliohm;
 - 3.Insulation Resistance:≥100Megohm(DC500V);
 - 4.Withstand Voltage:AC500V for 1Minute;
 - 5.Insertion and Extraction force:3~30N;
 - 6.Life test:5000 Cycles.
 - 7.Operating Temperature:-20°C~+70°C 85%RH Max;
 - 8.Storage Temperature:-40°C~+85°C 85%RH Max.



P/N: C22018A-XXXX-XXXXXXX

Model P/N

Plastical Material (Choose From Table B)

Housing Color (01:Black)

Schematic Code (See Table A)

Product salt mist (A:Normal; B:24Hours; C:48Hours)

Packing (□:PE Bag; Remark 00:Normal)

Plating (□0:Bright Tin; □1:MATE-Tin; □2:Ni-80V-Ag; 20u"Min)

NO.	DESCRIPTION	QTY	PARTS MATERIAL	PLATING OR COLOR	REMARK
④	Ring spring	2	Phosphor bronze 0.2t	Choose from P/N plating code	-
③	Tip spring	1	Phosphor bronze 0.2t	Choose from P/N plating code	-
②	Earth spring	1	Phosphor bronze 0.25t	Choose from P/N plating code	-
①	Housing	1	Choose from table B	Choose from P/N housing color	-

Tolerance X.X ±0.30 X.XX ±0.20 X.XXX ±0.10 Angle ±3.0°	MODEL NAME: 2.5PHONE JACK MODEL No: C22018A-XXXX-XXXXXXX	DRAWING: Miao Xue Ting CHECKED: Zeng Yu
UNIT: mm	SCALE: 1:1 REVISION A0 SHEET 1/1	APPROVED: Xiao Zhong Bo DATE: 2013-12-14
菱揚精密有限公司 Ling Yang Precision Co.,Ltd		FILE: XZB/LINGYANG DWG NO.C22018A-A001