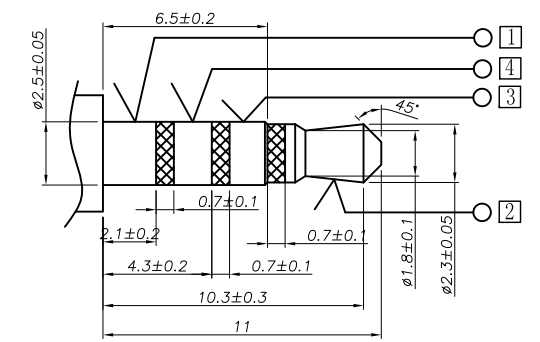


RECOMMENDED P. C. B. LAYOUT
 UNSPECIFIED TOLERANCE: ±0.05
 (COPPER-SIDED VIEW)



Matching Plug

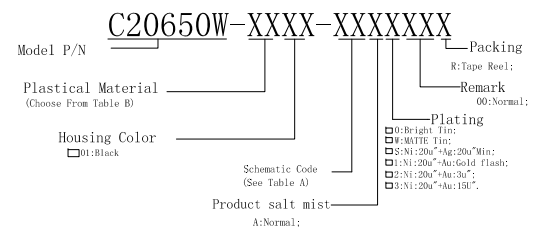
| Code: | 15 | 12 | 13 | 03 | 05 |
|-----------|----|----|----|----|----|
| Schematic | | | | | |
| Choose | | | | | |

TABLE A: Schematic And Code

| NO. | CODE | MATERIAL | REMARK |
|-----|------|---------------------|----------------|
| 3 | C0 | LCP UL94V-0 | RoHS24H, F Fit |
| 2 | L3 | PA10T 30%/F UL94V-0 | RoHS24H, F Fit |
| 1 | L0 | PA9T 30%/F UL94V-0 | RoHS2 Fit |

TABLE B: Plactical Material

- NOTES:
1. Rating: DC30V 0.5A;
 2. Contact Resistance: ≤30Milliohm, After Test: ≤50Milliohm;
 3. Insulation Resistance: ≥100Megohm (DC500V);
 4. Withstand Voltage: AC500V for 1Minute;
 5. Insertion and Extraction force: 3~30N;
 6. Life test: 5000 Cycles.
 7. Operating Temperature: -20°C~+70°C 85%RH Max;
 8. Storage Temperature: -40°C~+85°C 85%RH Max.



| NO. | DESCRIPTION | QTY | PARTS MATERIAL | PLATING OR COLOR | REMARK |
|-----|----------------|-----|----------------|-----------------------|-------------------------------|
| ⑦ | Shunt terminal | 6 | 1 | Brass 0.20t | CHOOSE FROM P/N PLATING CODE |
| ⑥ | Shunt terminal | 5 | 1 | Phosphor bronze 0.20t | CHOOSE FROM P/N PLATING CODE |
| ⑤ | Ring spring | 4 | 1 | Phosphor bronze 0.20t | CHOOSE FROM P/N PLATING CODE |
| ④ | Ring spring | 3 | 1 | BeCu 0.20t | CHOOSE FROM P/N PLATING CODE |
| ③ | Tip spring | 2 | 1 | BeCu 0.20t | CHOOSE FROM P/N PLATING CODE |
| ② | Earth spring | 1 | 1 | Phosphor bronze 0.20t | CHOOSE FROM P/N PLATING CODE |
| ① | Housing | 1 | 1 | CHOOSE FROM TABLE B | CHOOSE FROM P/N HOUSING COLOR |

| | | |
|-------------|--|------------------------|
| Tolerance | MODEL NAME: 2.5PHONE JACK | DRAWING: Miao Xue Ting |
| X.X ±0.30 | MODEL No: C20650W-XXXX-XXXXXXXR | CHECKED: Zeng Yu |
| X.XX ±0.20 | REVISION | APPROVED: Xiao ZhongBo |
| X.XXX ±0.10 | A0 | DATE: 2013-12-24 |
| Angle ±3.0° | SCALE: 1:1 | FILE: XZB/LINGYANG |
| UNIT: mm | 菱揚精密有限公司 Ling Yang Precision Co., Ltd | DWG NO. C20650W-A001 |