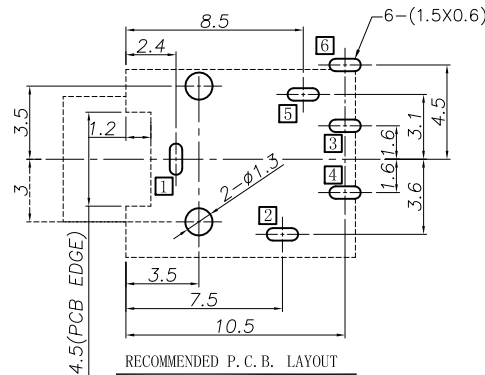
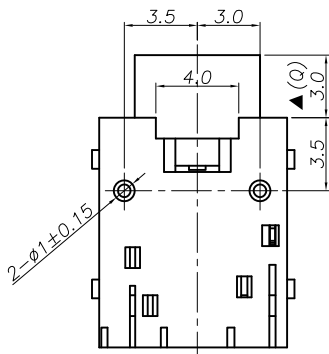


Code:	13	14	03	11
Schematic				
Choose				

TABLE A: Schematic And Code



RECOMMENDED P. C. B. LAYOUT
 UNSPECIFIED TOLERANCE: ±0.05
 (TOP VIEW)

NOTES:

- Rating:DC30V 0.5A;
- Contact Resistance: ≤30Milliohm, After Test: ≤50Milliohm;
- Insulation Resistance: ≥100Megohm(DC500V);
- Withstand Voltage: AC500V for 1Minute;
- Insertion and Extraction force: 3~30N;
- Life test: 5000 Cycles.
- Operating Temperature: -20° C ~ +70° C 85%RH Max;
- Storage Temperature: -40° C ~ +85° C 85%RH Max.

NO.	CODE	MATERIAL	REMARK
3	L0	PA9T 30%/F UL94V-0	RoHS2 Fit
2	B4	PBT 30%/F UL94V-0	RoHS2HL F Fit
1	B0	PBT 30%/F UL94V-0	RoHS2 Fit

TABLE B: Plactical Material

Model P/N: C30430W-XXXX-XXXXXXXX

Plactical Material (Choose From Table B)

Housing Color:
 01:Black (426C)
 02:Lime (577C)
 03:Pink (701C)
 04:Blue (284C)

Schematic Code (See Table A)

Product salt mist A:Normal;

Packing:
 B:Tray;
 C:PE bag;
 R:Tape reel;
 Remark 00:Normal

Plating:
 0:Bright Tin;
 1:MATE Tin;
 2:Ni:20u" +Au:20u"Min;
 3:Ni:20u" +Au:Gold flash;
 4:Ni:20u" +Au:3u";
 5:Ni:20u" +Au:15u".

NO.	DESCRIPTION	QTY	PARTS MATERIAL	PLATING OR COLOR	REMARK
7	Make terminal	6	1 Phosphor bronze 0.2t	CHOOSE FROM P/N PLATING CODE	
6	Transfer terminal	5	1 Stainless steel 0.2t	CHOOSE FROM P/N PLATING CODE	
5	Shunt terminal	4	1 Brass 0.25t	CHOOSE FROM P/N PLATING CODE	
4	Ring spring	3	1 Stainless steel 0.2t	CHOOSE FROM P/N PLATING CODE	
3	Tip spring	2	1 Phosphor bronze 0.25t	CHOOSE FROM P/N PLATING CODE	
2	Earth spring	1	1 Phosphor bronze 0.20t	CHOOSE FROM P/N PLATING CODE	
1	Housing	1	CHOOSE FROM TABLE B	CHOOSE FROM P/N HOUSING COLOR	

Tolerance	MODEL NAME:3.5PHONE JACK	DRAWING: Miao Xue Ting
X.X ±0.30	MODEL No:C30430W-XXXX-XXAX00X	CHECKED: Zeng Yu
X.XX ±0.20	REVISION SHEET	APPROVED: Xiao ZhongBo
X.XXX ±0.10	SCALE:1:1	DATE: 2013-12-25
Angle ±3.0°	A0	1/1
UNIT:mm	菱揚精密有限公司 Ling Yang Precision Co.,Ltd	FILE: XZB/LINGYANG
		DWG NO. C30430W-A001