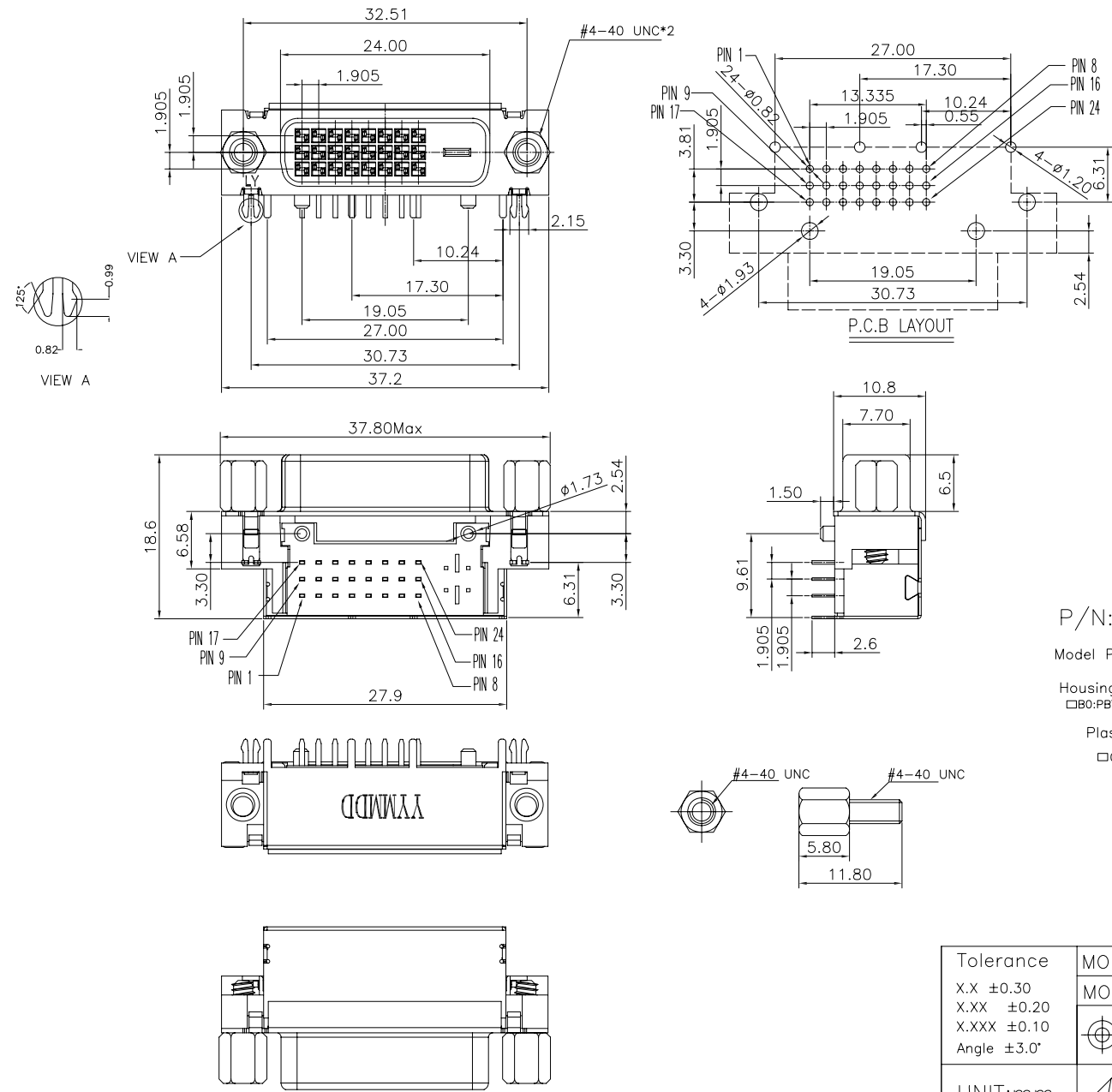


正式图 参考图 CUSTOMER DRAWING  
The requirements of environmental protection  
ROHS2 Halogen free

Mark	ECN NO.	DESCRIPTION	DESIGN	Date:
—	—	INITIAL RELEASE	Carlyle xu	2014-09-29
△	EN20141202001	Updated version	Carlyle xu	2014-12-02



- NOTE:  
MATERIALS:  
1. Housing: PBT 301G30+25% G/F,UL94-V0 Color:Ivory  
2. Cover: PA66 301G30+30% G/F,UL94-V0 Color:Ivory  
3. Contacts: Brass(C2680) T=0.30±0.02mm Salt Mist 24H  
4. Shell: Spcc T=0.5±0.03mm Salt Mist 72H  
5. Board Lock: Brass(C2680) T=0.40±0.02mm Salt Mist 72H  
6. Shield:Spcc T=0.30±0.03mm Salt Mist 72H  
7. Screw:Brass(C3602) Salt Mist 72H  
FINSH:  
1. Contacts: GOLD FLASH(1u"min) PLATED ON CONTACT AREA, 100u"MIN. TIN ON SOLDER TAIL, 50u"MIN. NICKEL UNDERPLATED OVER ALL.  
2. Shell: 100u"MIN. NICKEL PLATED.200u"MIN Cu UNDERPLATED OVER ALL.  
3. Board Lock: 100u" TIN PLATED. 100u"MIN. NICKEL UNDERPLATED OVER ALL. 100u"MIN Cu UNDERPLATED OVER ALL  
4. Shield: 100u"MIN. NICKEL PLATED.200u"MIN Cu UNDERPLATED OVER ALL SHIELD FOOT MANUAL ADHERE TIN  
5. Screw: 100u"MIN. NICKEL PLATED.100u"MIN Cu UNDERPLATED OVER AL

P/N: DVIO24W-B003-00A3F2X-SI △  
Model P/N: \_\_\_\_\_ Packing □B:Tray;  
Housing Material □B0:PBT Screw: □WL:Without screw  
Plastical Color □03:Ivory Screw: □F2:With screw DIM5.8  
Plating □A3: Au G/F Type \_\_\_\_\_

Tolerance X.X ±0.30 X.XX ±0.20 X.XXX ±0.10 Angle ±3.0°	MODEL NAME: DVIO24W-B003-00A3F2X-SI	DRAWING: Carlyle xu
	MODEL No:DVIO24W-B003-00A3F2B-SI	CHECKED: David zhou
UNIT:mm	SCALE:1:1	APPROVED: Jacky Lee
	REVISION A1	DATE: 2014-09-29
SHEET 1/1		FILE: F/LINGYANG
菱揚精密有限公司 Ling Yang Precision Co.,Ltd		DWG NO. DVIO24W-A002