

正式图 参考图

Mark	ECN NO.	DESCRIPTION	DESIGN	Date:
		INITIAL RELEASE	David zhou	2017-07-31
	EN20171208001	Modify the part structure	David zhou	2017-12-08

2	L3	PA10T UL94V-0	RoHS2&H.F Fit (IR Reflow)
1	L2	PA10T UL94V-0	RoHS2 Fit(IR Reflow)
NO.CODE		MATERIAL	REMARK

TABLE B : Plastical Material

P/N:

CDN342H-XXXX-A0XX00R

Model P/N

Plastical Material (Choose From Table B)

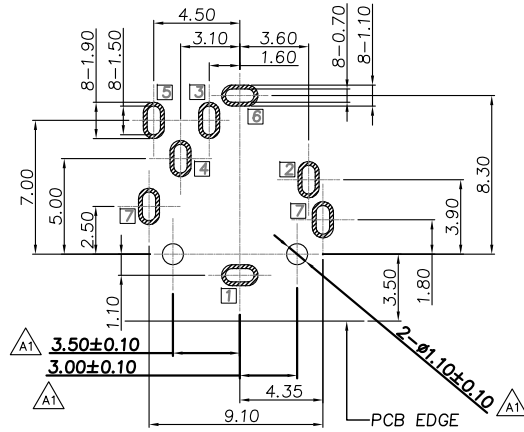
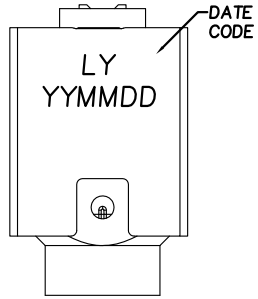
Housing Color

Schematic Code (See Table A)

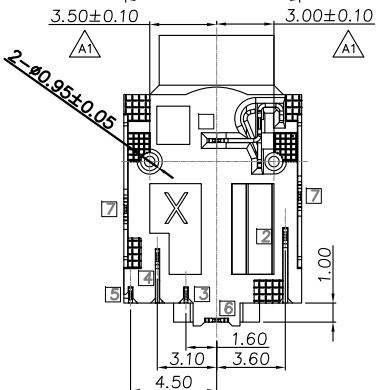
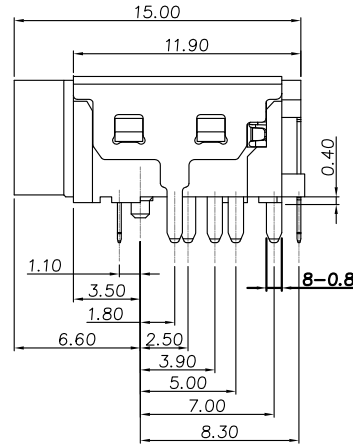
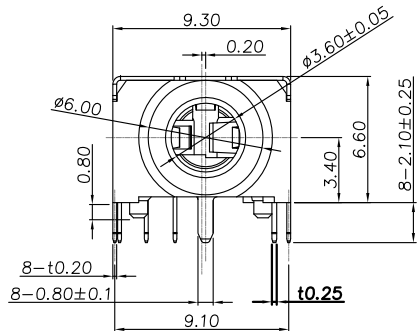
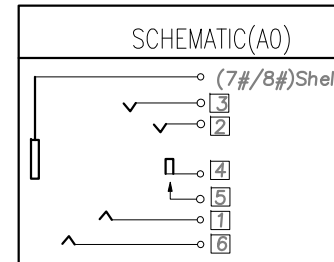
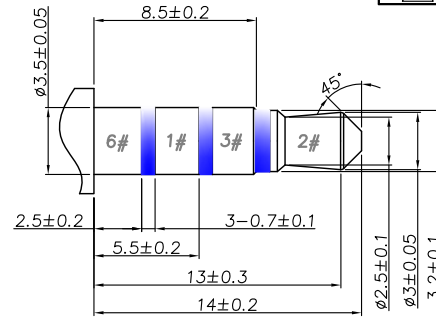
Product salt mist

Packing

- B:Tray;
- R:Tape reel;
- Remark
- 00:Normal;
- Plating
- A:Gold Flash
- 5:Au 30u"



RECOMMENDED P.C.B LAYOUT
TOP VIEW (TOLRANCE:±0.05)



SPECIFICATION:

1. Electrical characteristics
 - 1-1. Current rating: 0.5A
 - 1-2. Voltage rating: DC 30V.
 - 1-3. Contact resistance: 50mΩ max.
After test: 100mΩ max.
 - 1-4. Insulation resistance: 100MΩ min(500V DC).
 - 1-5. Withstanding voltage: 500V AC.
2. Mechanical characteristics
 - 2-1. Life test: 5000 cycles
 - 2-2. Mating force: 3-30N
Unmating force: 3-30N
3. Wave Solder 265° C, 3-5 Seconds
IR Reflow, Peak Temp 230-250° C, 20-40SES

⑧	Housing	1	PA10T	Black, UL 94V-0
⑦	Shell	1	SUS304	Nickel 50u" Plating All Over;
⑥	Contact 6	1	C5210, t0.20	Gold Flash Plating At Contact Area; Matte-TIN 100u" Plating At Solder Tail Area;
⑤	Contact 5	1	C5210, t0.20 Insert Molding(PA10TI, Black)	Gold Flash Plating At Contact Area and Solder Tail Area; Nickel 50u" Under Plating All Over
④	Contact 4	1	C5210, t0.20	Gold (SEE P/N) Plating At Contact Area;
③	Contact 3	1	C5210, t0.20	Matte-TIN 100u" Plating At Solder Tail Area;
②	Contact 2	1	C5191, t0.25	
①	Contact 1	1	C5210, t0.20	Nickel 50u" Under Plating All Over
NO.	DESCRIPTION	QTY	MATERIAL	REMARK

Tolerance	MODEL NAME: 3.5PHONE JACK		DRAWING: David zhou	
X.X ±0.30	MODEL No: CDN342H-XXXX-A0XX00X		CHECKED: David zhou	
X.XX ±0.20		SCALE: 1:1	REVISION	SHEET
X.XXX ±0.10		A1	A1	1/1
Angle ±3.0°	Ling Yang Precision Co., Ltd		APPROVED: Jacky Lee	DATE: 2017.07.31
UNIT:mm	菱揚精密有限公司		FILE: F/LINGYANG	
			DWG NO. CDN342H-A001	