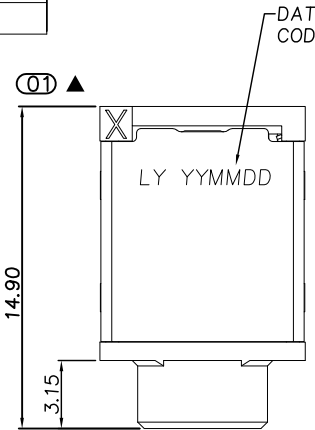
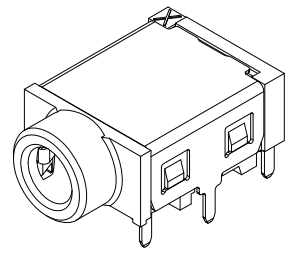
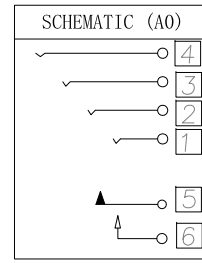
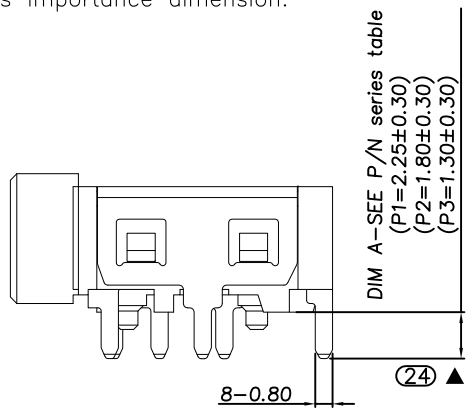
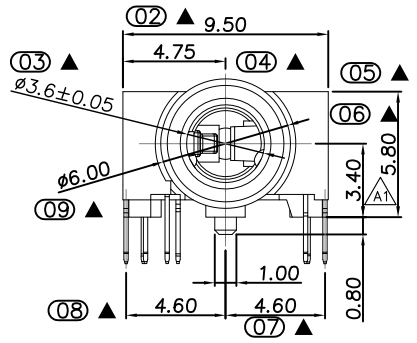
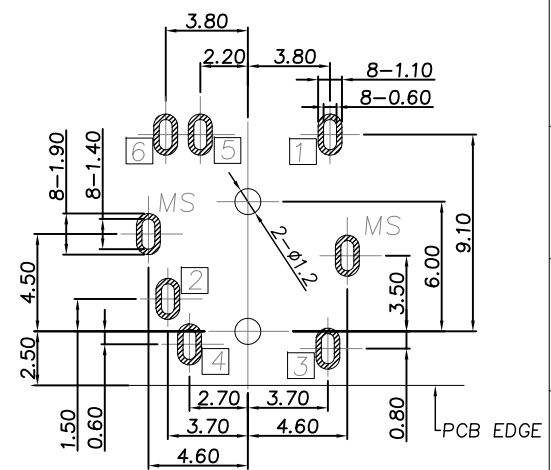
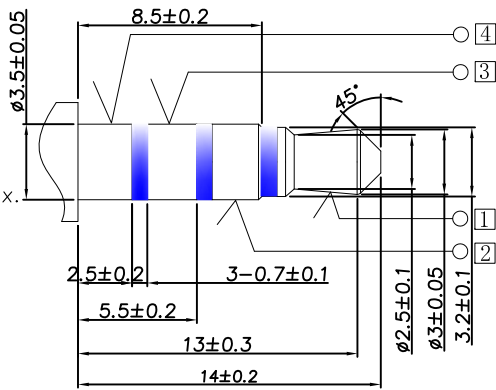


正式图 参考图

Mark	ECN NO.	DESCRIPTION	DESIGN	Date:
—	—	INITIAL RELEASE	David Zhou	2017-12-04
△	EN20171221002	Modify the part structure	Peter Wang	2017-12-21



- NOTES:
- 1.Rating:DC30V ,0.5A
 - 2.Contact Resistance:30mΩ max.
After test:50mΩ max.
 - 3.Insulation resistance:100MΩ Min(500V DC).
 - 4.Withstanding Voltage:AC500V for 1 Minute
 - 5.Insertion and Extraction force:3-30N
 - 6.Life test:5000 Cycles
 - 7.Operating Temperature:-20°C - +70°C,85%RH Max.
 - 8.Storage Temperature:-40°C - +85°C,85%RH Max.
 - 9.Wave Solder 265°C,3-5 Seconds
IR Reflow,Peak Temp230-265°C,20 - 90SES
 - 10.Sign"▲"is importance dimension.

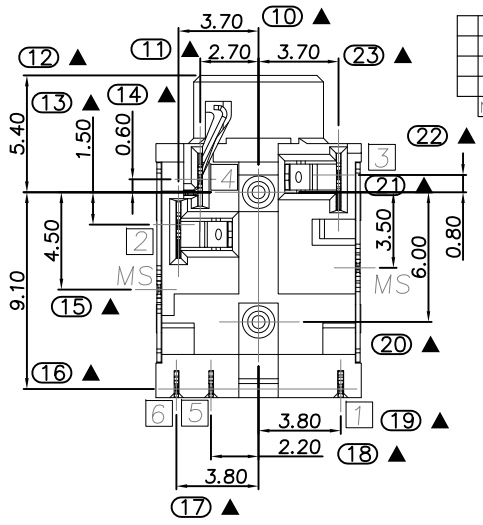


NO.	CODE	MATERIAL	REMARK
4	L1	PA9T UL94V-0	RoHS2&H.F Fit(IR Reflow)
3	L0	PA9T UL94V-0	RoHS2 Fit(IR Reflow)
2	L3	PA10T UL94V-0	RoHS2&H.F Fit(IR Reflow)
1	L2	PA10T UL94V-0	RoHS2 Fit(IR Reflow)

TABLE B : Plastical Material

P/N: CDN340L-XXXX-A0XXXXR

- Model P/N
- Plastical Material
(Choose From Table B)
- Housing color:
01:BLACK
02:PINK
03:LIME
04:Green
- Packing
□B:Tray;
□R:Tape reel;
PIN length (DIM A)
□P1=0.25mm
□P2=1.80mm
□P3=1.30mm
- Plating
□A:1u"
□5:Au 30u"
- Product salt mist
□A:Normal;
□B:24Hours;
- Schematic Code
(See Table A)



NO.	DESCRIPTION	FOOT	QTY	MATERIAL	REMARK
11	Housing		1	PA10T	UL94 V-0
10	Shell		1	SUS,T0.20	Nickel 50u" Under Plating All Over
6	Contact 6	6	1	C5210,T0.20	Gold Flash Plating At Contact Area; Gold Flash Plating At Solder Tail Area;
5	Contact 5	5	1	C5210,T0.20 Insert Molidng(PA10T,Black)	Nickel 50u" Under Plating All Over
4	Contact 4	4	1	C5210,T0.20	Gold (SEE P/N) Plating At Contact Area;
3	Contact 3	3	1	C5210,T0.20	Matte-TIN 100u" Plating At Solder Tail Area;
2	Contact 2	2	1	C5210,T0.20	Matte-TIN 100u" Plating At Solder Tail Area;
1	Contact 1	1	1	C5191,T0.25	Nickel 50u" Under Plating All Over

Tolerance
X.X ±0.30
X.XX ±0.20
X.XXX ±0.10
Angle ±3.0°

MODEL NAME:3.5PHONE JACK
MODEL No:CDN340L-XXXX-A0XXXXR

REVISION A1

SHEET 1/1

SCALE:1:1

DRAWING: David zhou
CHECKED: David zhou
APPROVED: Jacky Lee
DATE: 2017.12.04

FILE: F/LINGYANG
DWG NO. CDN340L-A001

UNIT:mm

菱揚精密有限公司
Ling Yang Precision Co.,Ltd