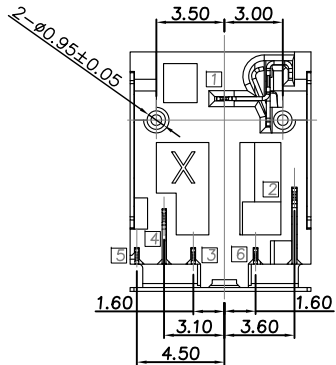
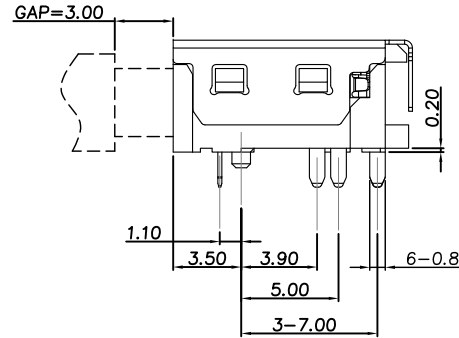
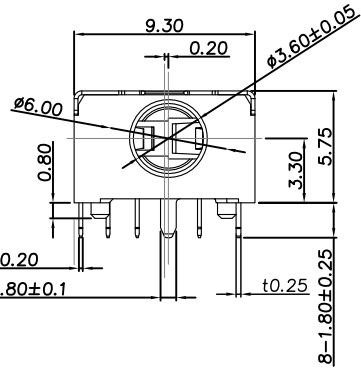
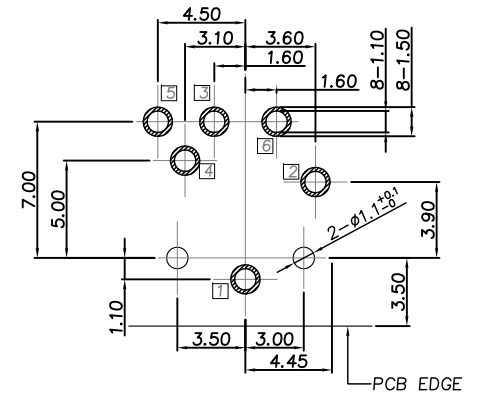
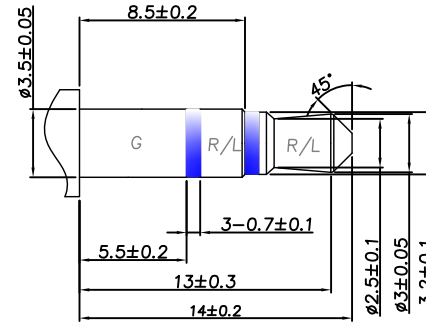
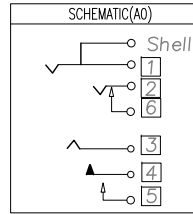
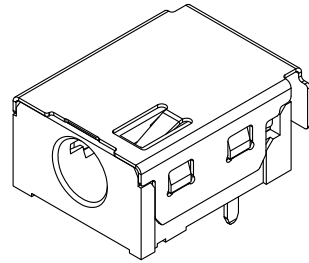
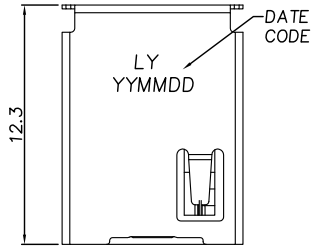


正式图 参考图

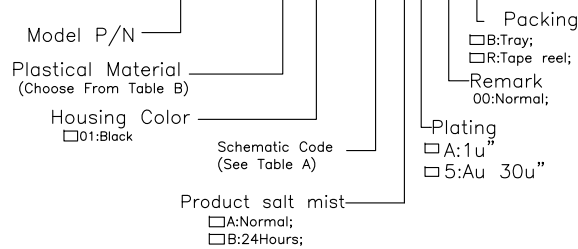
Mark	ECN NO.	DESCRIPTION	DESIGN	Date:
—	—	INITIAL RELEASE	David Zhou	2017-08-29



NO.	CODE	MATERIAL	REMARK
2	L3	PA10T UL94V-0	RoHS2&H.F Fit(IR Reflow)
1	L2	PA10T UL94V-0	RoHS2 Fit(IR Reflow)

TABLE B : Plastical Material

P/N:
CDN343G-XXXX-AOXX00R



NO.	DESCRIPTION	QTY	MATERIAL	REMARK
⑧	Housing	1	PA10T	Black, UL 94V-0
⑦	Shell	1	SUS304	Nickel 50u" Plating
⑥	Contact 5 [5]		C5210, t0.20	Gold Flash Plating At Contact Area; Matte-TIN 100u" Plating At Solder Tail Area; Nickel 50u" Under Plating All Over
⑤	Contact 6 [6]	1	C5210, t0.20	Gold Flash Plating At Contact Area;
④	Contact 4 [4]	1	C5210, t0.20 Insert Molding(PA10T, Black)	Gold Flash Plating At Solder Tail Area; Nickel 50u" Under Plating All Over
③	Contact 3 [3]	1	C5210, t0.20	Gold (SEE P/N) Plating At Contact Area; Matte-TIN 100u" Plating At Solder Tail Area; Nickel 50u" Under Plating All Over
②	Contact 2 [2]	1	C5191, t0.25	
①	Contact 1 [1]	1	C5210, t0.20	
Tolerance		MODEL NAME: 3.5PHONE JACK		DRAWING: David zhou
X.X ±0.30		MODEL No: CDN343G-XXXX-AOXX00R		CHECKED: David zhou
X.XX ±0.20		SCALE: 1:1	REVISION AO	SHEET 1/1
X.XXX ±0.10				
Angle ±3.0°		APPROVED: Jacky Lee		DATE: 2017.08.29
UNIT: mm		FILE: F/LINGYANG		DWG NO. CDN343G-A001



菱揚精密有限公司
Ling Yang Precision Co., Ltd