

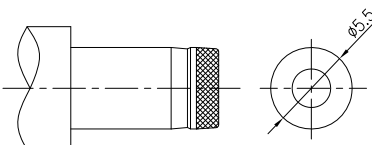
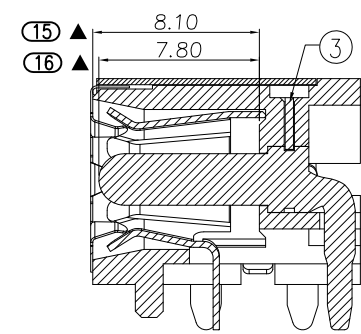
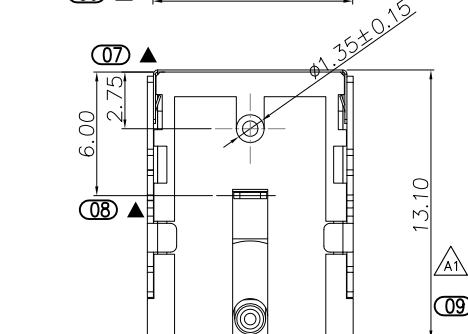
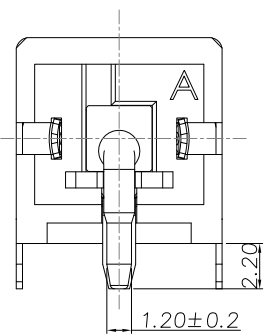
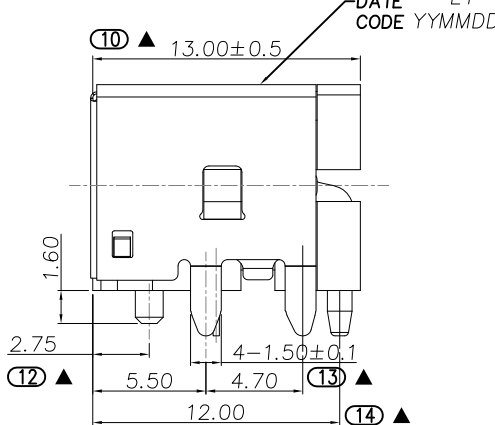
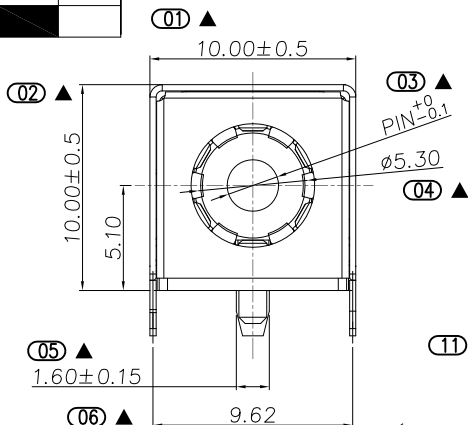
正式图 参考图

DATE LY
CODE YYMMDD

Mark	ECN NO.	DESCRIPTION	DESIGN	Date:
		NEW VERSION	David Zhou	2017.08.09
A1	EN20180103002	Modify the part structure	David Zhou	2018.01.03
A2	EN20180201004	Change SHIELD material	David Zhou	2018.02.01

SPECIFICATION

1. Rating : DC 54V 2.5A/ 20V 7A;
2. Contact resistance: $\leq 0.03\Omega$;
3. Insulation resistance: $\geq 100M\Omega$ (DC250V);
4. Withstand voltage: 500VAC ;
5. Insertion and extraction force: 5-40N;
6. life test: 5,000 cycles.
7. Product Salt Mist 48H
8. Sign "▲" is importance dimension.



NO.	Center Pin Dim Code	CENTER PIN DIA. ϕA	SCHEMATIC
4			
3			
2	0250	$\phi 2.50^{+0.05}$	
1	0200	$\phi 2.00^{+0.05}$	

TABLE A: Model of Center Pin

NO.	CODE	MATERIAL	REMARK
2			
1	L2	PA9T UL94V-0	RoHS2(IR Reflow)

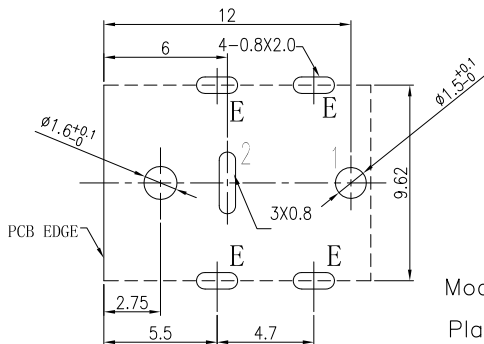
TABLE B : Plastical Material

P/N: DC4317W-XXXX-XXXX00X

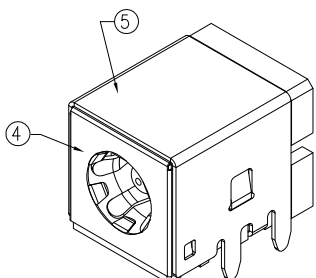
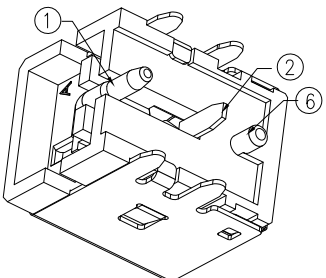
Model P/N _____ Packing R:Tape reel B:TRAY

Plastical Material _____ (Choose From Table B) Center Pin Dim Code (Choose From Table A)

Housing Color 01:Black



RECOMMENDED P.C.B LAYOUT (TOP VIEW)
PCB THICKNESS:1.60mm. TOLRANCE:±0.05



NO.	DESCRIPTION	QTY	MATERIAL	COLOR	REMARK
6	HOUSING	1	PA9T	—	UL-94V0(BLACK)
5	GROUND SHIELD	1	C2680 t=0.30	—	Ni 50u"-Plating A2
4	SHIELD PLATE	1	SUS301 t=0.10	—	
3	PEG	1	C2680 t=0.40	—	
2	TIP SPRING	1	C5191 t=0.30	—	Ag 5u"-Plating
1	CENTER PIN	1	ZINC ALLOY	—	Ni 50u"-Plating

Tolerance
X.X ? .30
X.XX ? .20
X.XXX ? .10
Angle ? 0°

UNIT:mm

MODEL NAME: DC POWER JACK		DRAWING: David Zhou	
MODEL No:DC4317W-XXXX-XXXX00X		CHECKED: David Zhou	
	SCALE:1:1	REVISION A2	SHEET 1/1
	APPROVED: Jacky Lee		DATE: 2017.08.09
FILE: CD/LINGYANG		DWG NO.DC4317W-A001	

菱揚精密有限公司
Ling Yang Precision Co.,Ltd