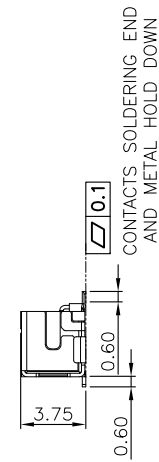
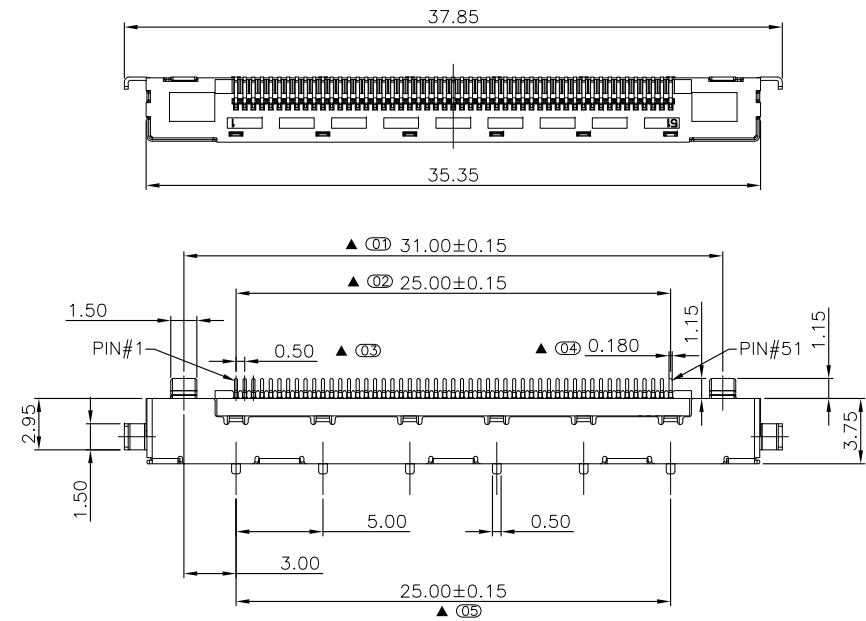


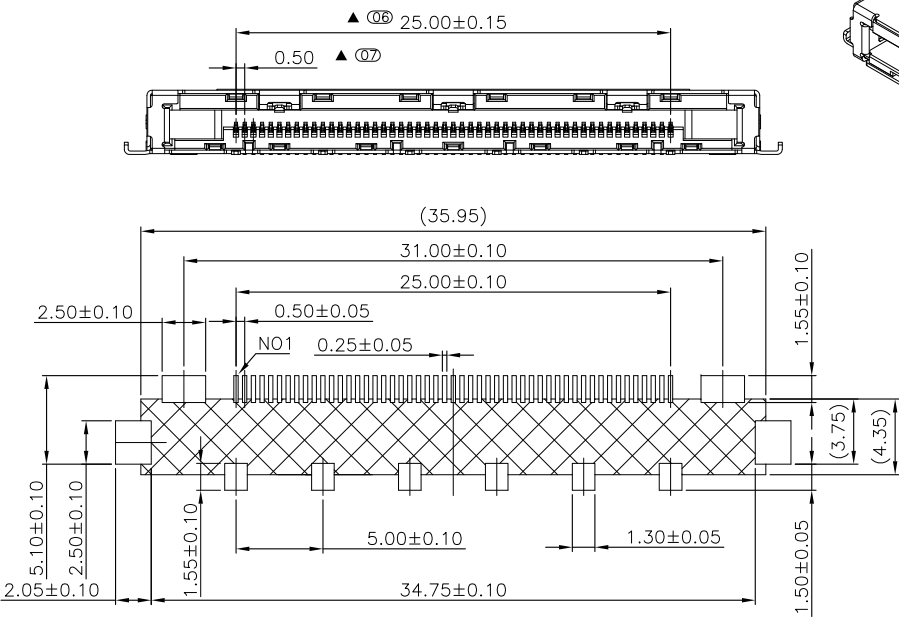
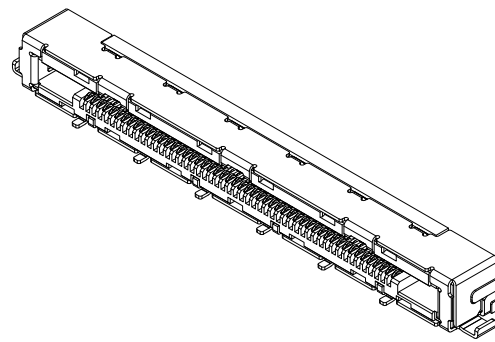
正式图 参考图

Mark	ECN NO.	DESCRIPTION	DESIGN	Date:
—	—	INITIAL RELEASE	Peter Wang	2018.06.06



NOTES:

- MATERIAL:
 - HOUSING: THERMOPLASTIC, HIGH TEMP. UL94V-0; COLOR:BLACK.
 - CONTACT: COPPER ALLOY,T=0.20.
 - SHELL:STAINLESS STEEL,T=0.20.
- PLATING:
 - CONTACT:
 - UNDER PLATING: 50u" MIN. NICKEL OVERALL.
 - PLATING:CONTACT AREA GOLD 3u"Min.
 - SOLDER AREA MATTE TIN (LEAD FREE) 75u" MIN.
 - SHELL:
 - SOLDER AREA PLATED WITH GOLD FLASH, 10u"~80u"NICKEL UNDER PLATED
- Sign" ▲ "is importance dimension.



RECOMMEND P.C.B LAYOUT

Model P/N: AFG004H-XXXX-XXXXXXX

Plastic Material: □C0:LCP UL94V-0

Housing Color: □01:Black

CKTS: □51:51Pin

Packing: □R:Tape reel;

Remark: □H:H.F &Rohs2 □R:Rohs2

Contact type: □ E:Upper □ F:Lower

Plating Code: □A1:Gold flash 1u" □A2:Gold flash 2u" □A3:Gold flash 3u" □A6:Half Gold Tin 1u" □A7:Half Gold Tin 3u"

Tolerance X.X ±0.30 X.XX ±0.20 X.XXX ±0.10 Angle ±3.0°	MODEL NAME: LVDS 0.5 PITCH 51P IF=3.75 TYPE CONN.	DRAWING: Peter Wang
	MODEL No:AFG004H-COXX-XXXXXXX	CHECKED: David Zhou
UNIT:mm	SCALE: 1:1	REVISION: A0
	SHEET: 1/1	
DATE: 2018.06.06		APPROVED: Jacky Lee
FILE: F/LINGYANG		DWG NO.AFG004H-A001

