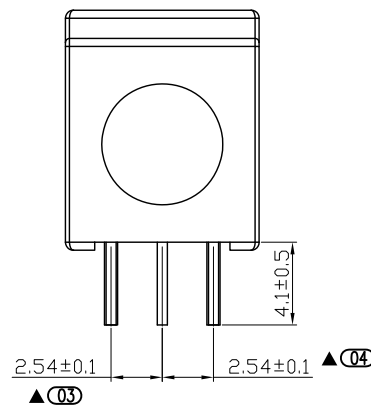
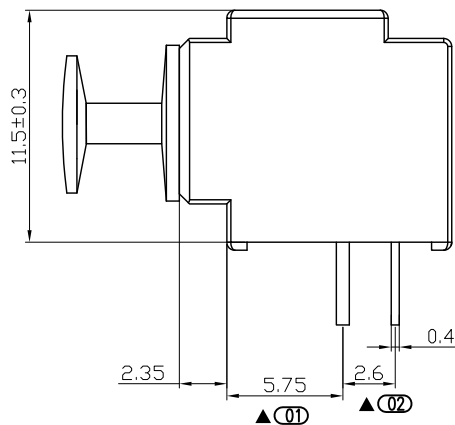
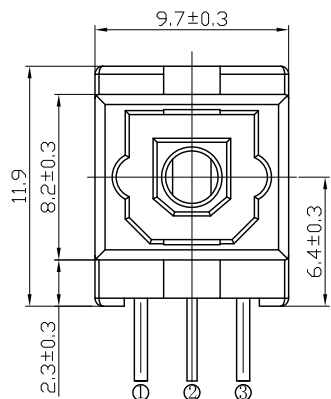


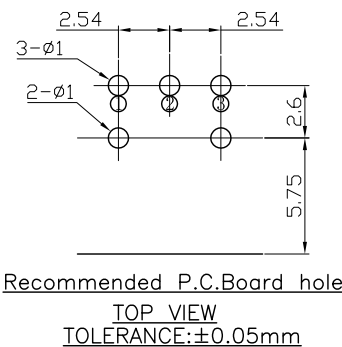
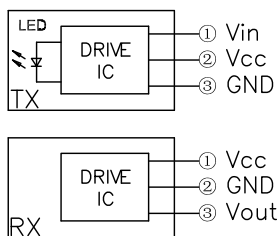
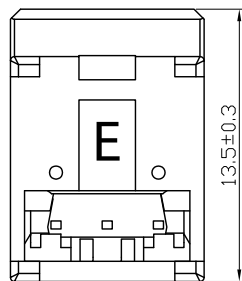
正式图 参考图

Mark	ECN NO.	DESCRIPTION	DESIGN	Date:
---	---	INITIAL RELEASE	Peter Wang	2018.05.17



NOTES:

- 1.Signal transmission speed:See P/N
2. Operating voltage:2.7 to5.5v
3. TTLand high C-MOS LOGIC compatible
4. Low power consumption
5. Operating temperature:-20° to 70°
6. Storage temperature:-30° to 80°
- 7.Soldering temperature:270°,time for 5s
- 8.Sign"▲" is importance dimension



ELECTRONIC THEORY:A0

TABLE A: SCHEMATIC

NO.CODE				
2	D6	PA66 30%G/F		RoHS2&H.F Fit
1	D0	PA66 30%G/F		RoHS2 Fit
		MATERIAL		REMARK

TABLE B : Plastical Material

P/N: TR1015J-XXXX-A0XXXXB

MODEL NO: _____

PLASTIC MATERIAL (See Table B) _____

AUTOMATIC DOOR COLOR: 01:BLACK _____

SCHEMATIC CODE (See Table A) _____

PRODUCT SALT MIST: A:Normal; B:24Hours; C:48Hours; _____

PACKING: B: TRAY _____

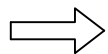
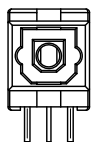
SIGNAL SPEC: T0:TRANSMIT SPEED 16Mbps; T1:TRANSMIT SPEED 25Mbps; R0:RECEIVE SPEED 16Mbps; R1:RECEIVE SPEED 25Mbps _____

PLATING: 0:Bright Tin; W:MATTE Tin; _____

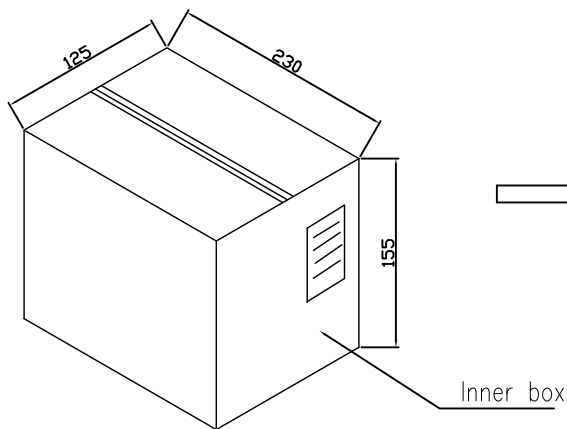
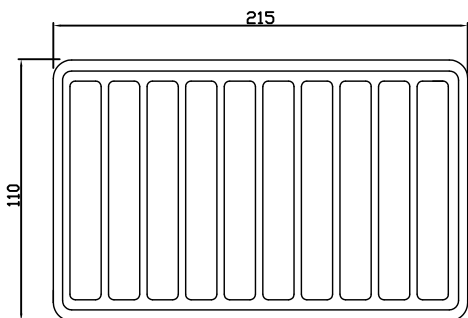
6	Chip stents	1	BRASS(C2680)	Ag 20u" Min	---
5	Terminal	1	BRASS t=0.4mm(C2680)	CHOOSE FROM P/N PLATING CODE	---
4	Spring coil	1	STAINLESS STEEL(SUS301)	---	---
3	Automatic door	1	PA66 30%G/F UL94V-HB	Black	---
2	Doorframe	1	PA66 30%G/F UL94V-HB	Black	---
1	Housing	1	PA66 30%G/F UL94V-HB	CHOOSE FROM P/N COLOR CODE	---
NO.	DESCRIPTION	QTY	PARTS MATERIAL	PLATING OR COLOR	REMARK

Tolerance	MODEL NAME:OPTICAL JACK	DRAWING: Peter Wang	
X.X ±0.30	MODEL No:TR1015J-XXXX-A0XXXXB	CHECKED: David zhou	
X.XX ±0.20	SCALE:1:1	REVISION A0	SHEET 1/1
X.XXX ±0.10	UNIT:mm	APPROVED: Jacky Lee	
Angle ±3.0°	FILE: F/LINGYANG		DATE: 2018.05.17
	Ling Yang enterprise Co.,Ltd		DWG NO. TR1015J-A001

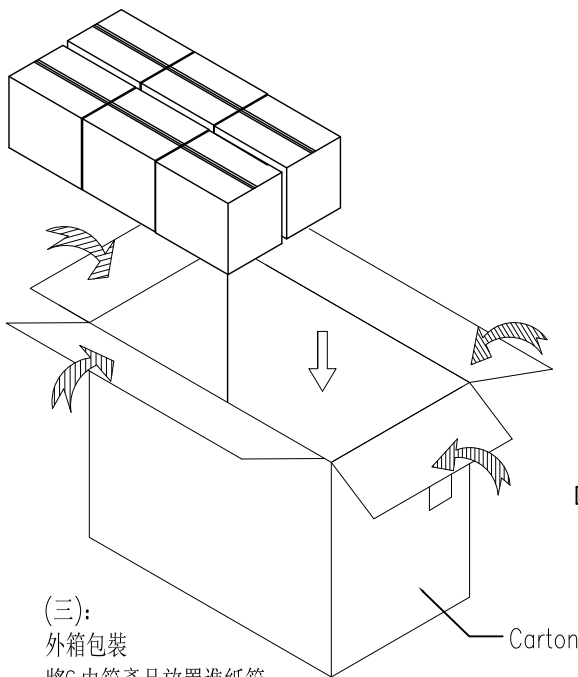
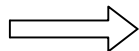
Mark	ECN NO.	DESCRIPTION	DESIGN	Date:
---	---	INITIAL RELEASE	Peter Wang	2018.05.17



(一):
托盘包装
1盘=100PCS



(二):
内箱包装
1内箱=100pcs*7盘=700PCS

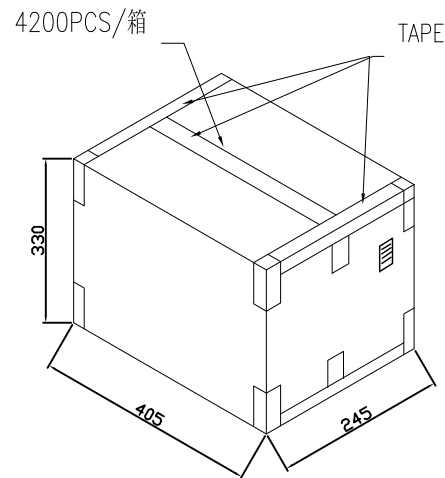


(三):
外箱包装
将6内箱产品放置进纸箱,
1外箱=700*6内箱=4200PCS

包装说明:

1. 数量: SEE TABLE.
2. 每盘包装好后, 每7盘包装一内箱, 每6内箱置入一外箱, 再成H型将纸箱用胶纸封好;
3. 包装过程中注意不可碰伤刮伤产品;

(四):
装好产品后将纸箱H型封好胶带



NO.	DESCRIPTION	QTY	PARTS MATERIAL	SIZE	WEIGHT
4	Products	4200	X	According to product drawings.	Net weight: --KG
3	Tray	42	PE	215*110*20(mm)	Gross weight: --KG
2	Inner box	6	B=B	230*125*155(mm)	
1	Carton	1	K=K	405*245*330(mm)	

Tolerance ±5	MODEL NAME:Packing specification		DRAWING: Peter Wang	
	MODEL No:TR1015J-XXXX-XXXXVXX		CHECKED: David zhou	
UNIT:mm	SCALE:1:1	REVISION AO	SHEET 1/1	APPROVED: Jacky Lee
		DATE: 2018.05.17		FILE: F/LINGYANG
Ling Yang Precision Co.,Ltd			DWG NO. TR1015J-B001	