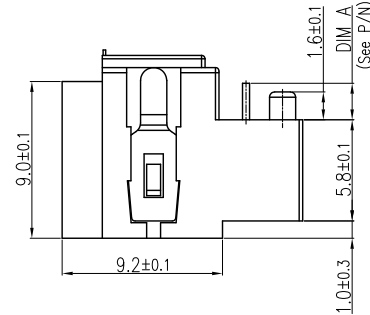
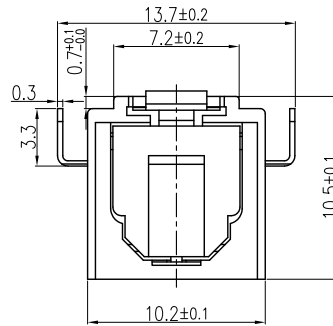
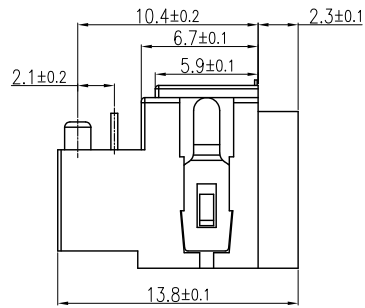


Pin Function	
DQT	DQR
① Vin(信號輸出端子)	① VCC(電源端子)
② Vcc(電源端子)	② GND(接地端子)
③ GND(接地端子)	③ VOUT(信號接收端子)

NOTES:

1. Signal transmission speed:Max16Mbps
2. Operating voltage:2.7 to5.5v
3. TTLand high C-MOS LOGIC compatible
4. Low power consumption
5. Operating temprature:-20° to 70°
6. Storage temprature:-30° to 80°
7. Soldering temprature:260°,time for 5s
8. Recommende Process:
Wave solder 260°C, 3~5 Seconds.
IR Reflow,Peak Temp (230~245) °C,20~40Seconds.



NO.	CODE	MATERIAL	REMARK
1	L1	PA9T 30%G/F UL94V-0	RoHS2 &HF Fit(Wave solder)
1	LO	PA9T 30%G/F UL94V-0	RoHS2 Fit(Wave solder)

TABLE B : Plactical Material

P/N:

TR1030A-XXXX-XXAXXXX

MODEL NO _____ Packing&Dimension:

Packing	DIM A
B: Tray	3.0±0.3
R: Tape Reel	2.1±0.3

Plastic Material (See Table B)

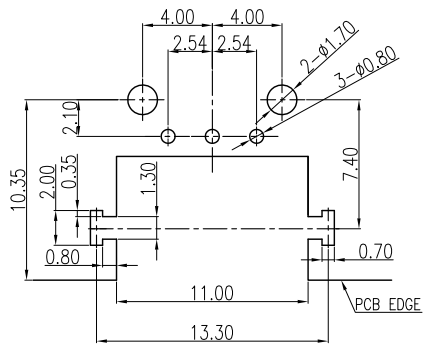
Color of Automatic door
 01:BLACK

Remark
00: Normal

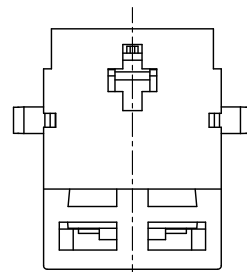
Product Salt Mist
 A:Normal;
 B:24Hours;

Signal Spec:
 T1:TRANSMIT SPEED 16Mbps
 T2:TRANSMIT SPEED 25Mbps
 R1:RECEIVE SPEED 16Mbps
 R2:RECEIVE SPEED 25Mbps

Plating
 S: Plating Ag;



Recommended P.C.Board hole
TOP VIEW (Tolerance:0.05mm)



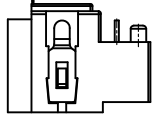
NO.	DESCRIPTION	QTY	PARTS MATERIAL	PLATING OR COLOR	REMARK
5	Terminal	1	BRASS	Plating Tin	—
4	Chip stents	1	BRASS	CHOOSE FROM P/N PLATING CODE	—
3	Spring	1	STAINLESS STEEL	—	—
2	Automatic door	1	CHOOSE FROM P/N	Black	—
1	Housing	1	CHOOSE FROM P/N	CHOOSE FROM P/N COLOR CODE	—

Tolerance X.X ±0.30 X.XX ±0.20 X.XXX ±0.10 Angle ±3.0°	MODEL NAME:OPTICAL JACK MODEL No:TR1030A-XXXX-XXXXXXX	DRAWING: Carlyle xu CHECKED: David zhou APPROVED: Jacky Lee DATE: 2016.06.17
UNIT:mm	SCALE:1:1 REVISION A0 SHEET 1/1	FILE: F/LINGYANG DWG NO. TR1030A-A001

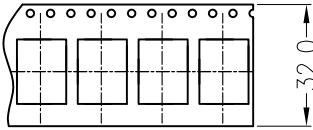
菱揚精密有限公司
Ling Yang enterprise Co.,Ltd

正式图 参考图 CUSTOMER DRAWING
The requirements of environmental protection
ROHS2 Halogen free

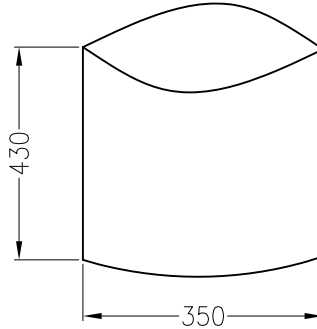
Mark	ECN NO.	DESCRIPTION	DESIGN	Date:
—	—	INITIAL RELEASE	Carlyle Xu	16.07.06



真空胶袋
Vacuum bag

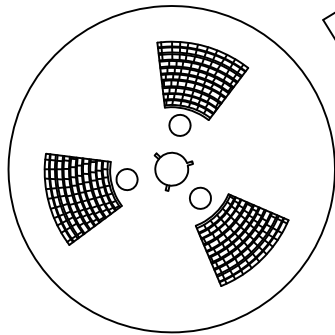


TAPE REEL

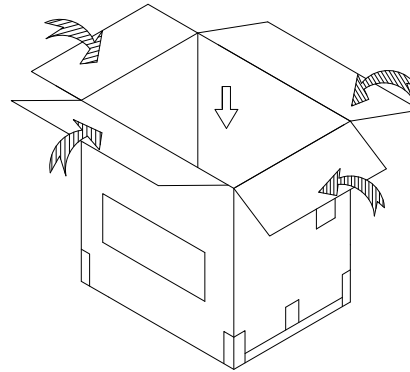


包装说明:

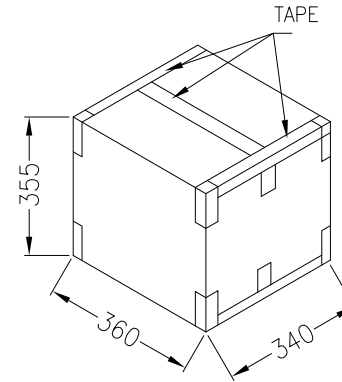
- 1.数量: 每盘: 300PCS
每箱10盘共3000/PCS
- 2.将卷带包装好每盘后, 每10盘用PE袋包好, 并放入到纸箱内;
- 3.包装过程中注意不可碰伤刮伤产品;



塑胶包装盘 $\phi 330 \times 32$ mm
plastic packing tray



SHIPPING BOX



300pcs/胶盘
10盘/箱
(1盘/1真空袋)
3000 Kpcs/箱

SHIPPING BOX

300	10	3000
PCS/Reel	Reel/SHIPPING BOX	PCS/SHIPPING BOX

NO.	DESCRIPTION	QTY	PARTS MATERIAL	SIZE	WEIGHT
3	Products	32K	X	According to product drawings.	Net weight: ?KG
3	PE Bag	1	PE		Gross weight: ?KG
2	Tape Reel	16	PE	Size: $\phi 330 \times 32$	
1	Carton	1	K=K	Size: 360*340*355	

Tolerance ± 5	MODEL NAME:Packing specification		DRAWING: Carlyle Xu	
	MODEL No:TR1030A-XXXX-XXXXXXR		CHECKED: David Zhou	
UNIT:mm	SCALE:1:1	REVISION A0	SHEET 1/1	APPROVED: <i>Gavin</i>
		DATE: 2016-07-06		FILE: F/LINGYANG
菱揚精密有限公司 Ling Yang Precision Co.,Ltd			DWG NO.TR1030A-B001	