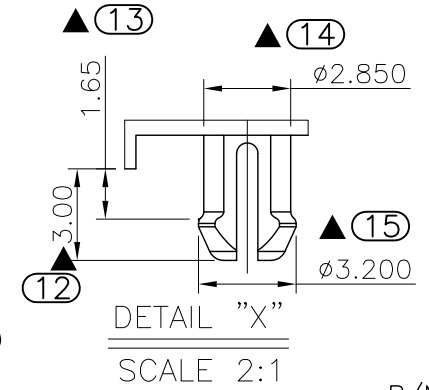
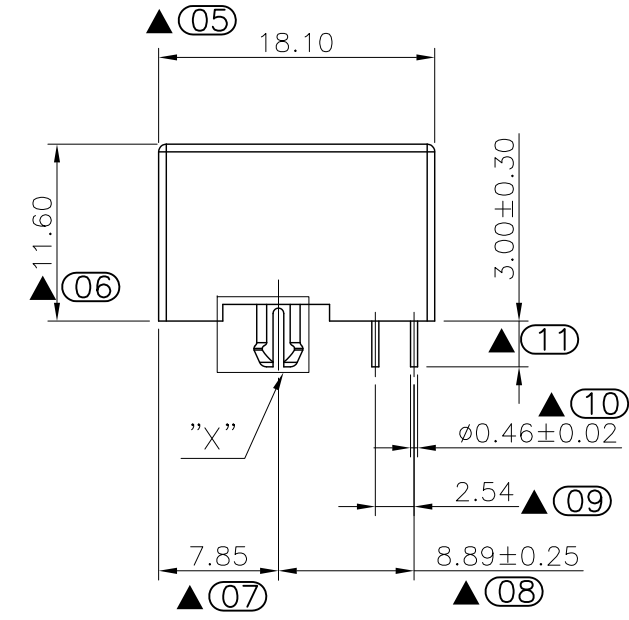
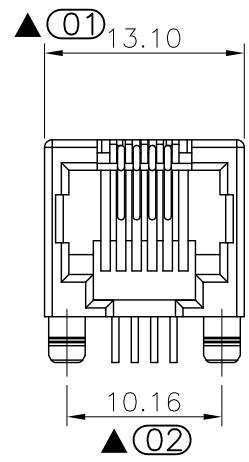


正式图 参考图

Mark	ECN NO.	DESCRIPTION	DESIGN	Date:
—	—	NEW VERSION	Peter Wang	2018.02.28



SPECIFICATION:
 1.Current Rating:1.5Amp max
 2.Voltage Rating:150VAC max
 3.Insulation Resistance:500 megohms min
 4.Contact Resistance:30 milliohms max
 5.Withstanding Voltage:1000 VAC
 6.Durability:750 Cycles
 7.Operating Temperature:-40°C~+70°C
 8.Storage Temperature:-50°C~+75°C
 9.Contact Normal Force:100g Minimum
 10.Wave Solder 260°C,3~5 Seconds
 IR Reflow, Peak Temp 230~240°C,20~40SEC.
 11.Sign"▲"is importance demension.

P/N: RJ1165W-XXXX-XXXX00X

Model P/N

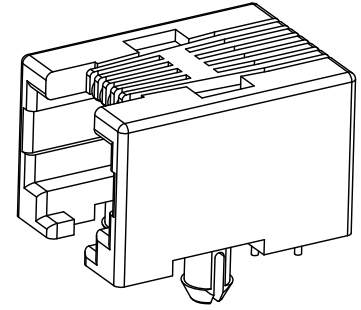
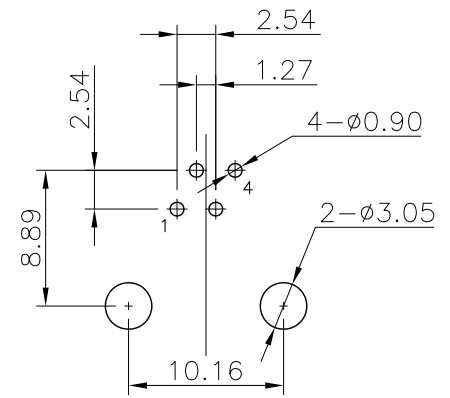
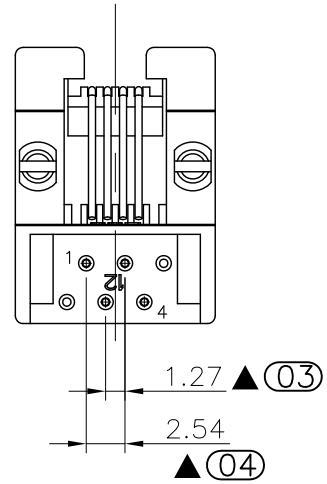
Plasting Material
B0:PBT UL94-V0 ROHS(Wave Solder)
B4:PBT UL94-V0 ROHS&H.F(Wave Solder)

Plasting Color
01:Black
01:Gray(Cool Gray3U)

Packing
B:Tray, R:Tape reel;
 No Led

Plating Code:
00:Gold Flash
01:6u"
02:15u"
03:30u"
04:50u"

Contacts:
2C:2Pin Contacts
4C:4Pin Contacts



RECOMMENDED PCB LAYOUT
TOP VIEW (TOL:±0.05)

NO.	DESCRIPTION	QTY	PARTS MATERIAL	PLATING OR COLOR	REMARK
2	Terminal	2	Phosphor Bronze	Plated with Gold and Tin in solder area(Gold See Part No).	-
1	Housing	1	Choose from P/N	Choose from P/N item color	-

Tolerance X.X ±0.30 X.XX ±0.20 X.XXX ±0.10 Angle ±3.0°	MODEL NAME:RJ11 CONNECTOR MODEL No:RJ1165W-XXXX-XXXX00X	DRAWING: Peter Wang CHECKED: David Zhou APPROVED:Jacky Lee DATE: 2018.02.28	
UNIT:mm	SCALE:1:1	REVISION A0	SHEET 1/1
Ling Yang Precision Co.,Ltd		FILE: CD/LINGYANG DWG NO.RJ1165W-A001	