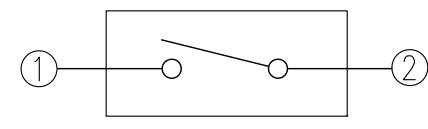
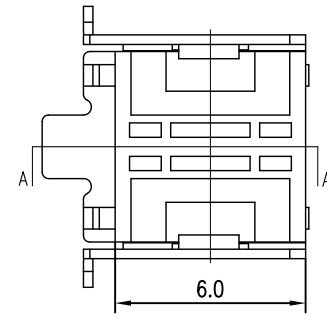
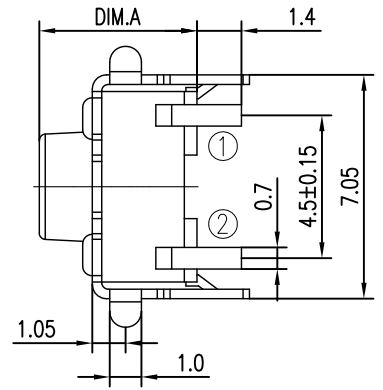
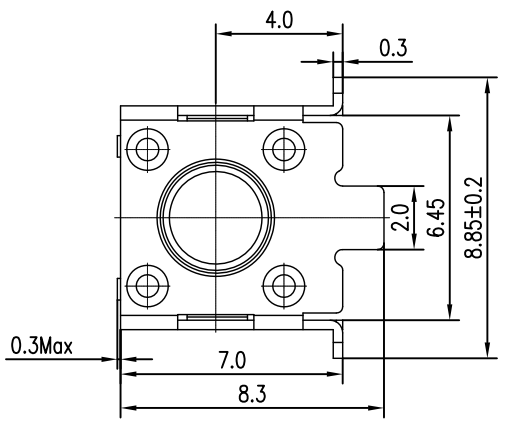


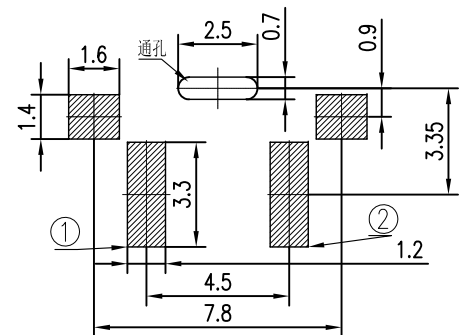
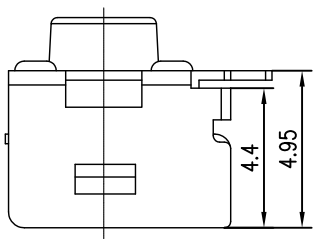
正式图 参考图

Mark	ECN NO.	DESCRIPTION	DESIGN	Date:
—	—	NEW VERSION	Zeng Yu	2017.04.13
△	EN20180705001	Update the material item	Peter Wang	2018.07.05



CIRCUIT DRAWING

- NOTES:
- 1.Rating: Voltage DC12V, Current 50mA Max;
 - 2.Contact Resistance:≤50Milliohm;
 - 3.Insulation Resistance:≥100 Megohm(DC100V);
 - 4.Withstand Voltage:AC250V for 1Minute;
 - 5.Full Travel:0.25±0.1mm;
 - 6.Life Test:100,000 Cycles Min;
 - 7.Operating Temperature:-20°C~+85°C;
 - 8.Storage Temperature:-30°C~+85°C.



RECOMMENDED PCB LAYOUT

2	L3	PA9T 30%G/F UL94V-HB	PA9T 30%G/F UL94V-HB	RoHS2&H.F Fit
1	L0	PA9T 30%G/F UL94V-HB	PA9T 30%G/F UL94V-HB	RoHS2 Fit
NO.CODE		HOUSING MATERIAL	BUTTON MATERIAL	REMARK

TABLE A : Plactical Material

CHOOSE CODE	0430	0450	0500	0550	0600	0700	0800	0900	0950	1000	1050	1100	1200
HEIGHT/mm	4.3	4.5	5.0	5.5	6.0	7.0	8.0	9.0	9.5	10.0	10.5	11.0	12.0

CHOOSE CODE	1250	1300	1350	1550	1700	—	—	—	—	—	—	—	—
HEIGHT/mm	12.5	13.0	13.5	15.5	17.0	—	—	—	—	—	—	—	—

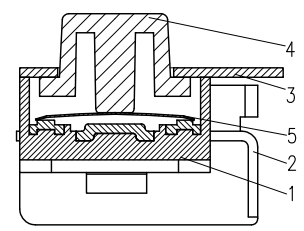
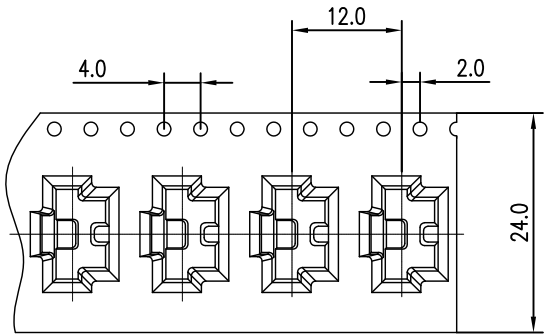
TABLE B

P/N: TC1305G-XXXX-XXXXXXX

Model P/N: _____ Packing
 R:Tape reel.

Plactical Material (Choose From Table A) _____
 Chocolate:
 0:100g 8:160g;
 8:180g A:260g;
 Typ
 H:Horizontal;
 Height of the key (Choose from TABLE B)

Button Color 01:Black



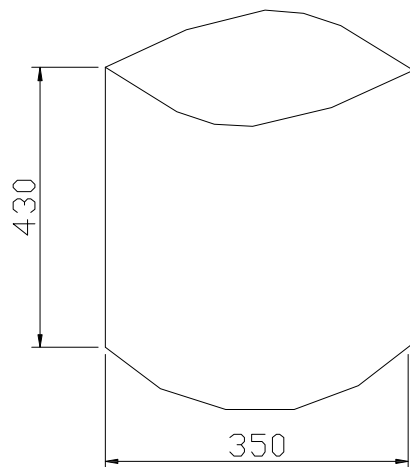
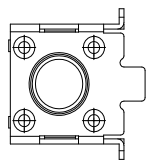
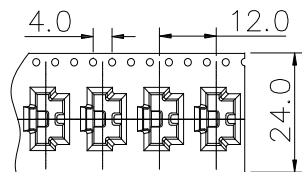
SECTION A-A

5	Spring	1	Stainless steel	Plating silver	
4	Button	1	PA9T	Choose from P/N color item	
3	Cover	1	Brass	Plating Sn	
2	Contact	1	Brass	Plating silver	
1	Housing	1	PA9T	Black	
NO.	DESCRIPTION	QTY	PARTS MATERIAL	PLATING OR COLOR	REMARK

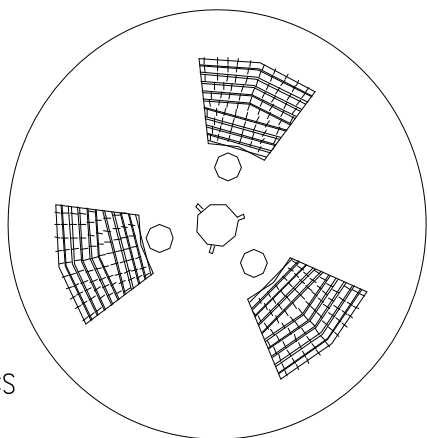
Tolerance X.X ±0.30 X.XX ±0.20 X.XXX ±0.10 Angle ±3.0°	MODEL NAME: TACT SWITCH MODEL No: TC1305G-XXXX-XXXXHXX	DRAWING: David Zhou CHECKED: David Zhou
UNIT:mm	SCALE: 1:1 REVISION A1 SHEET 1/1	APPROVED: Jacky Lee DATE: 2017.04.13
菱揚精密有限公司 Ling Yang Precision Co.,Ltd		FILE: XZB/LINGYANG DWG NO.TC1305G-A001

正式图 参考图

6	7	8
Mark	ECN NO.	DESCRIPTION
---	---	INITIAL RELEASE
		DESIGN
		Peter Wang
		Date:
		2018.07.05



真空袋

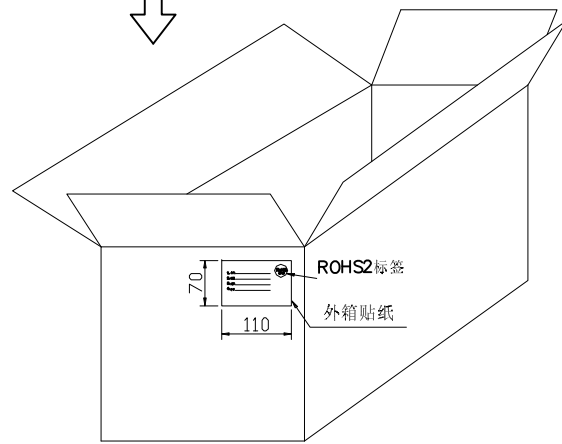


(一):
塑料盘包装
1盘=600PCS

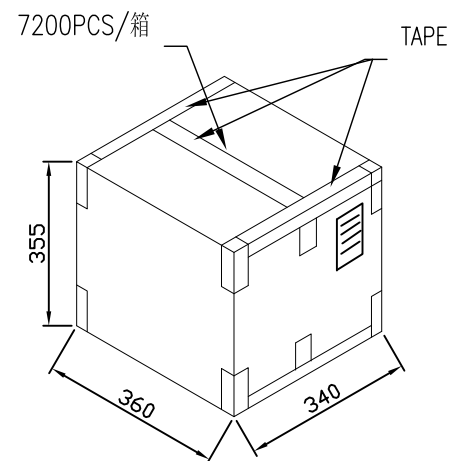
塑料包装盘

(二):
外箱包装
1外箱=12盘=12*600=7200PCS

(三):
装好产品好将纸箱H型封好胶带



外箱



NO.	DESCRIPTION	QTY	PARTS MATERIAL	SIZE	WEIGHT
4	Products	7200	X	According to product drawings.	Net weight: --KG
3	Vacuum Bag	12	X	430*350(mm)	Gross weight: --KG
2	Reel	12	K=K	--	
1	Carton	1	K=K	360*340*355(mm)	

Tolerance ±5	MODEL NAME:TACT SWITCH Packing		DRAWING: Peter Wang	
	MODEL No:TC1305G-XXXX-XXXXXX		CHECKED: David zhou	
UNIT: mm	SCALE: 1:1	REVISION	SHEET	APPROVED: Jacky Lee
		A0	1/1	DATE: 2018.07.05
菱揚精密有限公司 Ling Yang Precision Co.,Ltd			FILE: F/LINGYANG	
			DWG NO. TC1305G-B001	