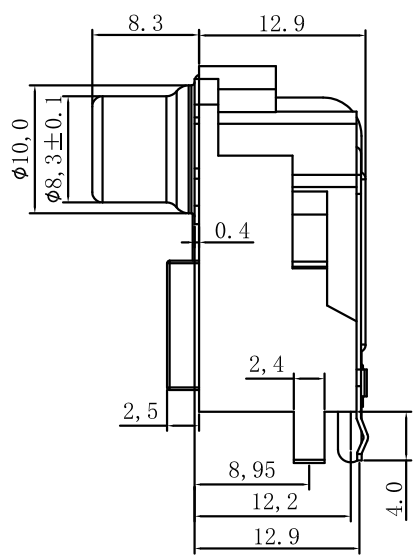
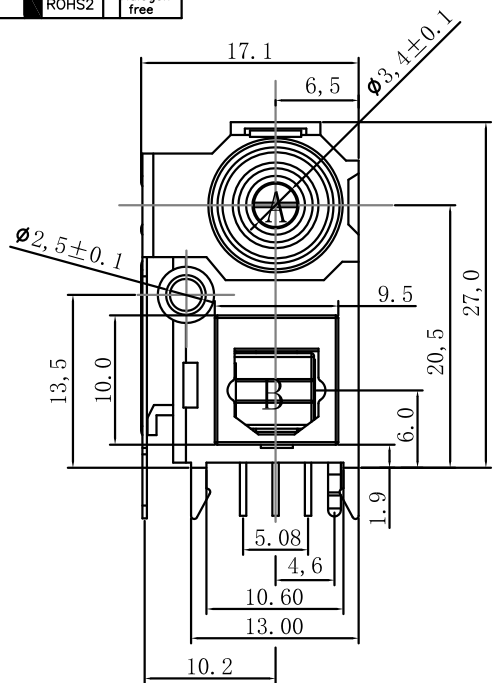


正式图 参考图
 CUSTOMER DRAWING
 The requirements of environmental protection
 ROHS2 Halogen free

Mark	ECN NO.	DESCRIPTION	DESIGN	Date:
—	—	NEW VERSION	David Zhou	2017.07.17



NOTES:
 1.Rating:DC12V 1.0A;
 2.Contact Resistance:≤30Milliohm;
 3.Insulation Resistance:≥100Megohm;
 4.Withstand Voltage:AC500V;
 5.Insertion and Extraction force:3~30N;
 6.Life test:500 Cycles.

NO.	CODE	MATERIAL	COLOR	REMARK
4	D0	PA66 30%G/F UL94V-0	----	RoHS2 Fit
3	CO	LCP(Housing)+PBT(Washer)	----	RoHS2 Fit
2	B4	PBT 30%G/F UL94V-0	----	RoHS2&H.F Fit
1	B0	PBT 30%G/F UL94V-0	----	RoHS2 Fit

TABLE B : Plactical Material

06	RED	BLK	15	R711U	WHT	23	WHT	BLK
07	GRN	BLU	16	GRN	RED	48	YEL	BLK
09	WHT	RED	17	GRN	WHT	74	ORN	BLK
10	RED	WHT	18	164C	BLK			
11	YEL	WHT	19	YEL	R711U			
12	WHT	YEL	20	YEL	RED			
13	WHT	R711U	21	RED	YEL			
14	Y128C	BLK	22	BLK	RED			
	A	B		A	B		A	B

WHT:WHITE(白) BLU:BLUE(蓝) BRN:BROWN(棕)
 YEL:YELLOW(黄) ORN:ORANGE(橘) BRN:BROWN(深棕)
 GRN:GREEN(绿) GRY:GRAY(灰)
 BLK:BLACK(黑) RED:RED(红) R711U(红)

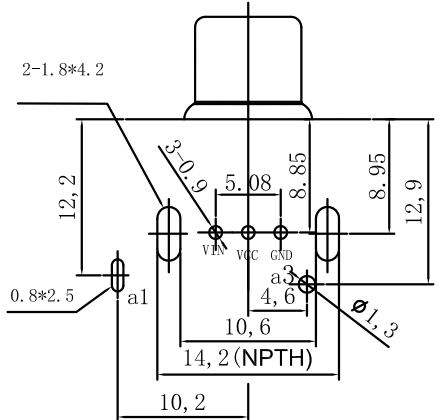
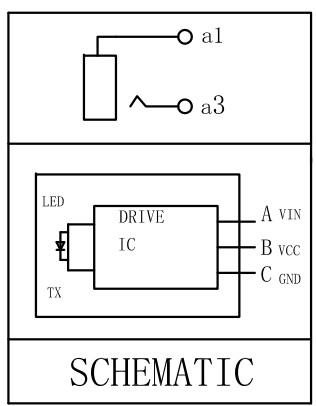
TABLE C : Color Code of Washer

4	AE	Cu:80u"+Ni:120u"+Au:1u"	Cu:40u"+Tin:80u"	Cu:80u"+Ni:120u"	48Hours Salt
3	AG	Cu:40u"+Ni:80u"+Au:0.8u"	Cu:40u"+Tin:80u"	Cu:40u"+Ni:80u"	—
2	AB	Cu:80u"+Ni:120u"	Cu:40u"+Tin:80u"	Cu:80u"+Ni:120u"	48Hours Salt
1	A2	Cu:40u"+Ni:80u"	Cu:40u"+Tin:80u"	Cu:40u"+Ni:80u"	—

NO. PLATING CODE SHELL TERMINAL SHIELD REMARK

TABLE D : Plating Code

P/N: GZ1024W-XXXX-XXXXXXX
 Model P/N
 Plactical Material (Choose From Table B)
 Washer or Housing Color (Choose From Table C)
 Circuit Code (See Table A)
 Packing
 B:Tray; R:Tape reel;
 Remark
 O:Normal;
 Shell Material
 H:SPCC-sd;
 C:BRASS C2680;
 S:SUS;
 Plating Code (Choose From Table D)



NO.	物料名称	材质
1	HOUSING AV座	PA66+15% BLACK
2	OC-HOUSING 门片	PA66+15% BLACK
3	COVER 门框	PA66+15% BLACK
4	SPRING 弹簧	SUS
5	RCA-SHIELD 铜套	SPCC NICKEL Plated 6u" MIN
6	WASHER 垫圈	PBT4815 ORANGE 165C
7	TERMINAL-a3 插	BRASS TIN PLATED 6u" MIN

Tolerance
 X.X ±0.30
 X.XX ±0.20
 X.XXX ±0.10
 Angle ±3.0°

UNIT:mm

MODEL NAME: RCA JACK+OPTICAL
 MODEL No:GZ1024W-XXXX-XXXXXXX

REVISION A0 SHEET 1/1

SCALE:1:1

APPROVED:Jacky Lee
 DATE: 2017.07.17

FILE:CD/LINGYANG
 DWG NO.GZ1024W-A001

菱揚精密有限公司
 Ling Yang Precision Co.,Ltd