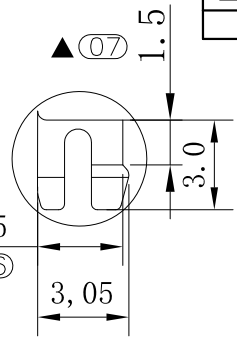
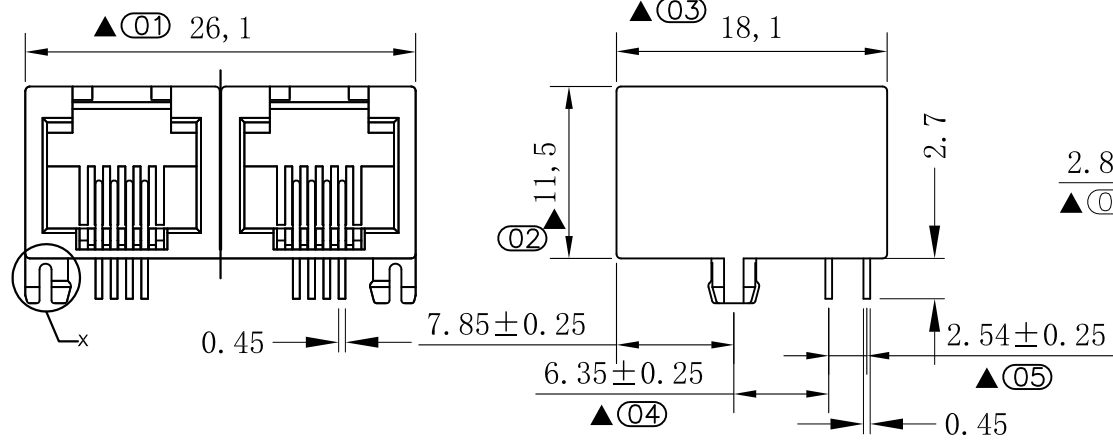


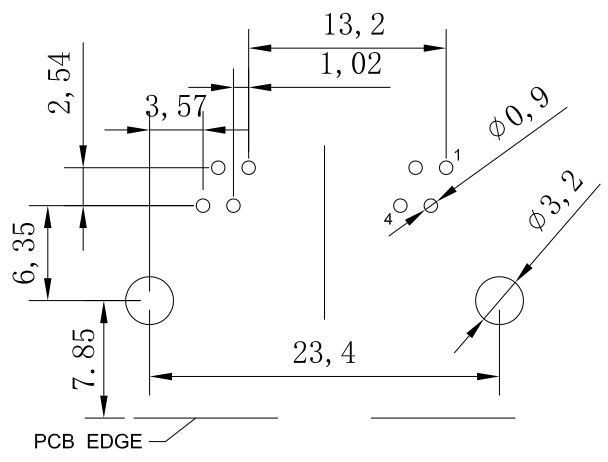
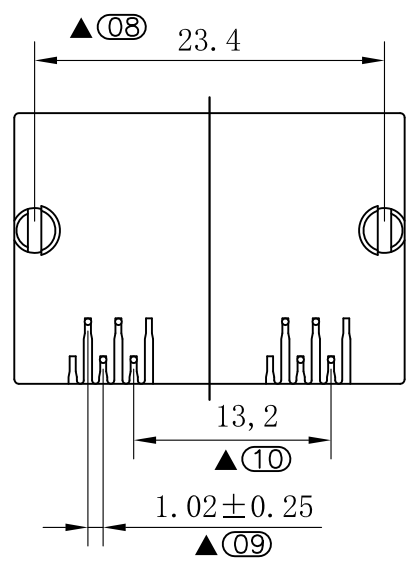
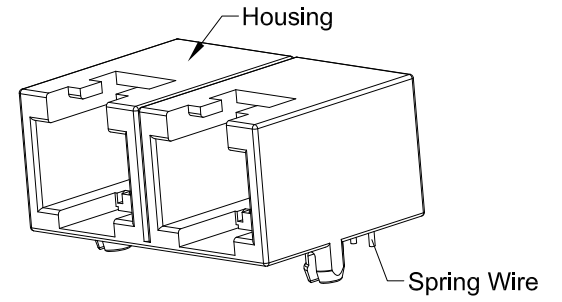
正式图 参考图

Mark	ECN NO.	DESCRIPTION	DESIGN	Date:
—	—	NEW VERSION	Peter Wang	2018.05.10



X DETAIL
SCALE 2:1

- SPECIFICATION:
- 1.Current Rating:1.5Amp max
 - 2.Voltage Rating:150VAC max
 - 3.Insulation Resistance:500 megohms min
 - 4.Contact Resistance:30 milliohms max
 - 5.Withstanding Voltage:1000 VAC
 - 6.Durability:750 Cycles
 - 7.Operating Temperature:-40℃~+70℃
 - 8.Storage Temperature:-50℃~+75℃
 - 9.Contact Normal Force:100g Minimum
 - 10.Wave Solder 260℃,3~5 Seconds
 - IR Reflow, Peak Temp 230~240℃,20~40SEC.
 - 11.Sign"▲"is importance demension.



RECOMMENDED PCB LAYOUT
TOP VIEW
TOLERANCE:±0.05mm
PCB THICKNESS: 1.60±0.05mm

P/N: RJ1172W-XXXX-XXXX00X

- Model P/N
- Plastic Material:
- B0:PBT UL94-V0 ROHS(Wave Solder)
 - B4:PBT UL94-V0 ROHS&H.F(Wave Solder)
 - F0:NYLON FR52 UL94-V0 ROHS(Wave Solder)
 - F5:NYLON FR52 UL94-V0 ROHS&H.F(Wave Solder)
 - C0:LCP UL94-V0 ROHS&H.F(IR REFLOW)
- Plastic Color:
- 01:Black;
 - 77:Gray(429C).
- Packing
- B:Tray; □R:Tape reel;
 - No Led
- Plating Code:
- 00:Gold Flash
 - 01:6u"
 - 02:15u"
 - 03:30u"
 - 04:50u"
- Contacts:
- 4C:4Pin Contacts

Tolerance	MODEL NAME:RJ11 CONNECTOR	DRAWING: Peter Wang
X.X ±0.30	MODEL No:RJ1172W-XXXX-XXXX00X	CHECKED: David Zhou
X.XX ±0.20	SCALE:1:1	APPROVED:Jacky Lee
X.XXX ±0.10		REVISION A0
Angle ±3.0°	1/1	FILE: CD/LINGYANG
UNIT:mm	菱揚精密有限公司 Ling Yang Precision Co.,Ltd	DWG NO.RJ1172W-A001

NO.	DESCRIPTION	QTY	PARTS MATERIAL	PLATING OR COLOR	REMARK
2	Terminal	8	Copper Alloy(Dia:0.45mm)	Gold Plated over Nickel(Gold See Part No).	-
1	Housing	1	Choose from P/N	Choose from P/N item color	-