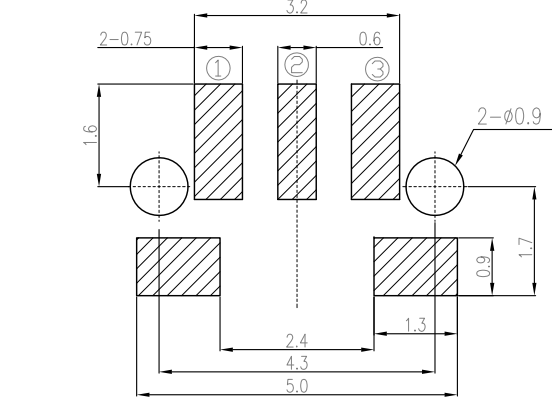
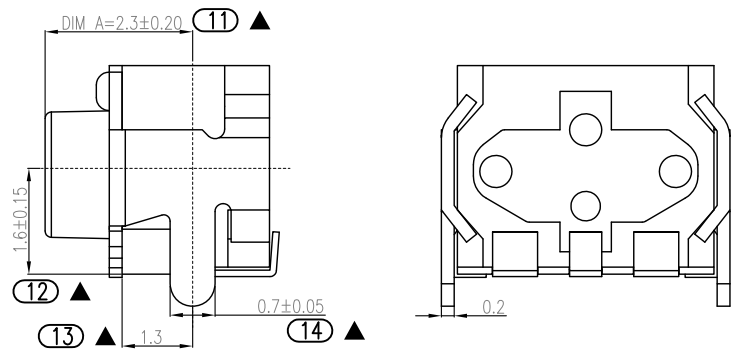
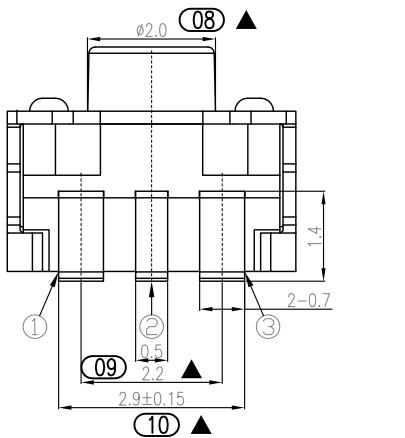
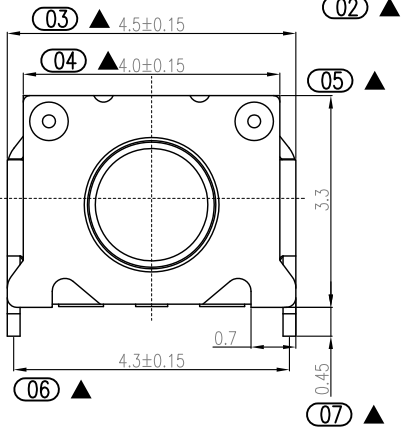
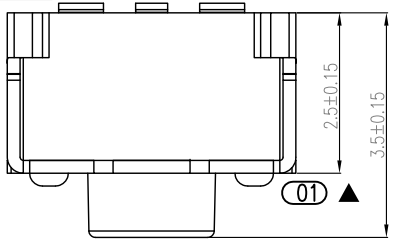


| | | | | |
|------|---------|-------------|------------|------------|
| Mark | ECN NO. | DESCRIPTION | DESIGN | Date: |
| --- | --- | NEW VERSION | David Zhou | 2017-10-10 |



SMD REFLOW PATTERN TOP VIEW

NOTES:
 1.Rating: Voltage DC12V, Current 50mA Max;
 2.Contact Resistance:≤50Milliohm;
 3.Insulation Resistance:≥100 Megohm(DC100V);
 4.Withstand Voltage:AC250V for 1Minute;
 5.Full Travel:0.25±0.1mm;
 5.Operating Temperature:-20°C~+85°C;
 6.Storage Temperature:-30°C~+85°C.
 7.Sign"▲"is importance dimension.

| | | | | |
|---------|----|--------------------|--------------------|---------------|
| 2 | c1 | LCP 30%G/F UL94V-0 | LCP 30%G/F UL94V-0 | RoHS2&H.F Fit |
| 1 | c0 | LCP 30%G/F UL94V-0 | LCP 30%G/F UL94V-0 | RoHS2 Fit |
| NO.CODE | | HOUSING MATERIAL | BUTTON MATERIAL | REMARK |

TABLE A : Plastical Material

| | |
|----------|------|
| CHOOSE | |
| CODE | 0230 |
| DIM A/mm | 2.3 |

TABLE B

P/N: TC2009W-XXXX-XXXXXXXX

Model P/N _____

Plastical Material _____
(Choose From Table A)

Button Color _____
 01:Black
 02:Red
 08:Gray

Packing
 B:Tray; R:Tape reel;
 T:Tube; P:PE Bag

Chocolate:
 0:100g 6:160g;
 8:180g A:260g.

Typ
 S:SMT

Height of the key
(Choose from TABLE B)

| | | | | | | |
|------|-----------|---------|------------------|-----------------|-----------------|----------------|
| 5 | SPRING | 1 | DQ-TS-2009-05-00 | TS-2009 SPRING | STAINLESS STEEL | PLATING SILVER |
| 4 | BUTTON | 1 | DQ-TS-2009-04-00 | TS-2009 BUTTON | LCP | WHITE |
| 3 | COVER | 1 | DQ-TS-2009-03-00 | TS-2009 COVER | BRASS | PLATING SILVER |
| 2 | CONTACT | 1 | DQ-TS-2009-02-00 | TS-2009 CONTACT | BRASS | PLATING SILVER |
| 1 | HOUSING | 1 | DQ-TS-2009-01-00 | TS-2009 HOUSING | LCP | BLACK |
| ITEM | PART NUME | Q'TY/EA | DRAWING NO. | ITEM NO. | MATERIAL | FINISH |

Tolerance
 X.X ±0.30
 X.XX ±0.20
 X.XXX ±0.10
 Angle ±3.0°

MODEL NAME:TACT SWITCH
 MODEL No:TC2009W-XXXX-XXXXXXX

DRAWING: David Zhou
 CHECKED: David Zhou
 APPROVED: IVAN
 DATE: 2017.10.10
 FILE: CD/LINGYANG
 DWG NO.TC2009W-A001

SCALE:1:1
 REVISION A0
 SHEET 1/1

UNIT:mm

菱揚精密有限公司
 Ling Yang Precision Co.,Ltd