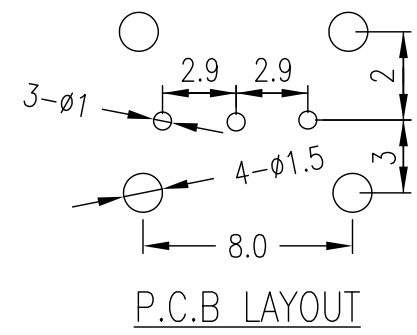
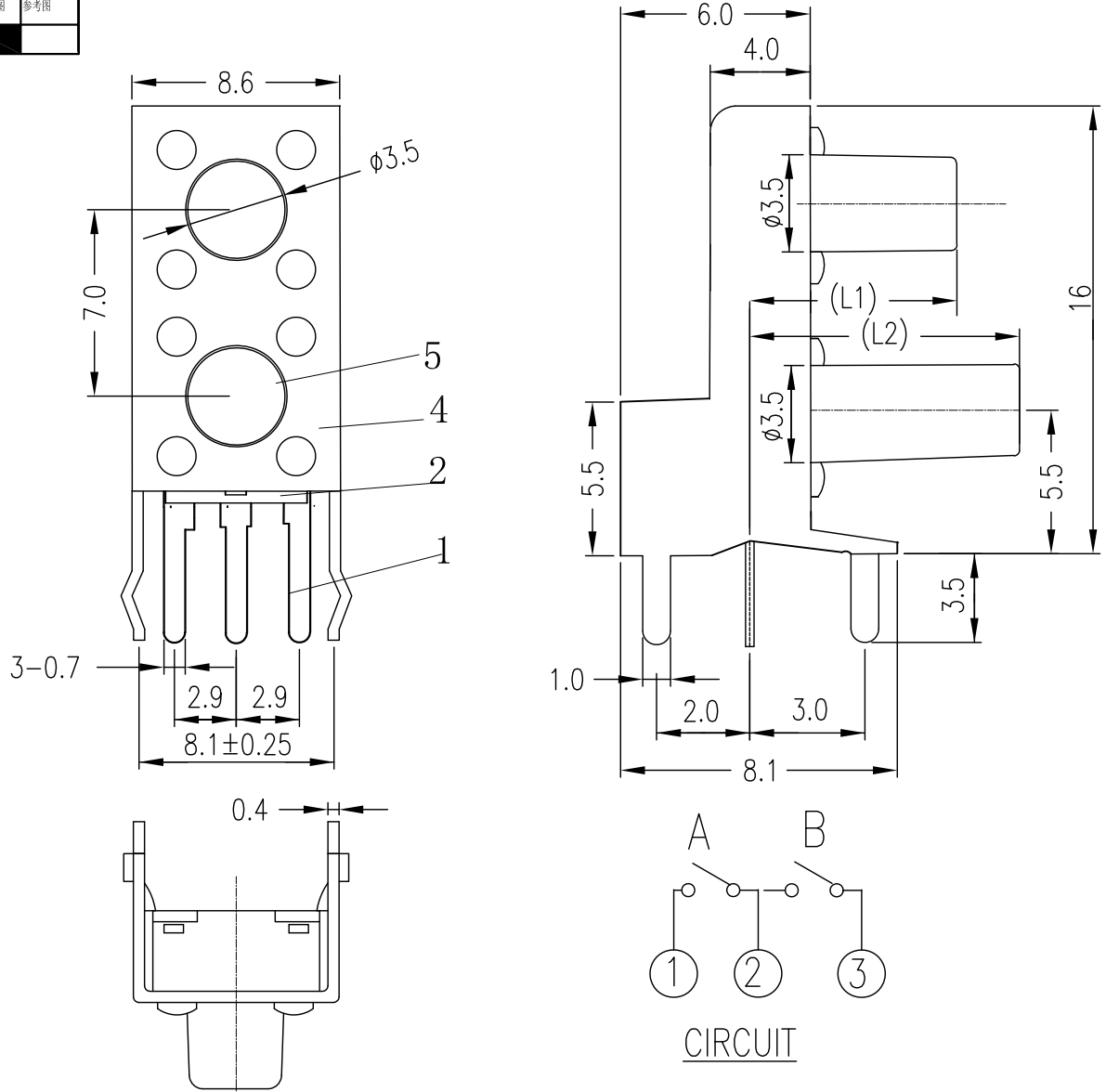


正式图 参考图

Mark	ECN NO.	DESCRIPTION	DESIGN	Date:
---	---	INITIAL RELEASE	David zhou	2017.10.13

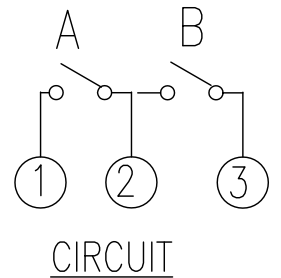


2				
1	DO	PA66 30%G/F UL94V-0	--	RoHS2 Fit(Wave solder)
	NO.CODE	HOUSING MATERIAL	BUTTON MATERIAL	REMARK

TABLE A : Plactical Material

CHOOSE	A0	A1	A2	A3	A4	A5	A6	A7	A8				
DiM L1/mm	3.15	3.85	5.85	7.35	8.35	10.85	11.85	13.85	14.35				
CHOOSE	A0	A1	A2	A3	A4	A5	A6	A7	A8				
DiM L2/mm	3.15	3.85	5.85	7.35	8.35	10.85	11.85	13.85	14.35				

TABLE B(Height Dim)



P/N: TC1102M-XXXX-XXXXXXX

Model P/N

Plactical Material (Choose From Table A)

Button Color

01: Black  
03: White

Packing  
P:PE Bag  
B:TRAY  
 Chocolate:  
4:100±30gf.  
5:160±30gf.  
A:250±30gf.  
 Typ.  
 H:Horizontal; V:Vertical;  
 Height of the key(Dim L1&L2)  
 (Choose from TABLE B)

No.	NAME	MATERIAL	NATIONALITY	QTY	FINISHING
1	Terminal	Brass	China	1	Silver PLATED
2	Case	PA66	China	1	Black
3	Contact	C5210R-EH	Korea	1	Contact side silver plating
4	Cover	SPCC-SD	China	1	CuSn PLATED
5	Stem	PA66	China	1	Black

Tolerance  
 X.X ±0.30  
 X.XX ±0.20  
 X.XXX ±0.10  
 Angle ±3.0°

MODEL NAME:TACT SWITCH			
MODEL No: TC1102M-XXXX-XXXXXXX			
SCALE	REVISION	SHEET	
1:1	A0	1/1	

DRAWING: David zhou  
 CHECKED: David zhou  
 APPROVED: Jacky Lee  
 DATE: 2017.10.13

UNIT:mm

菱揚精密有限公司  
 Ling Yang Precision Co.,Ltd

FILE: F/LINGYANG  
 DWG NO. TC1102M-A001